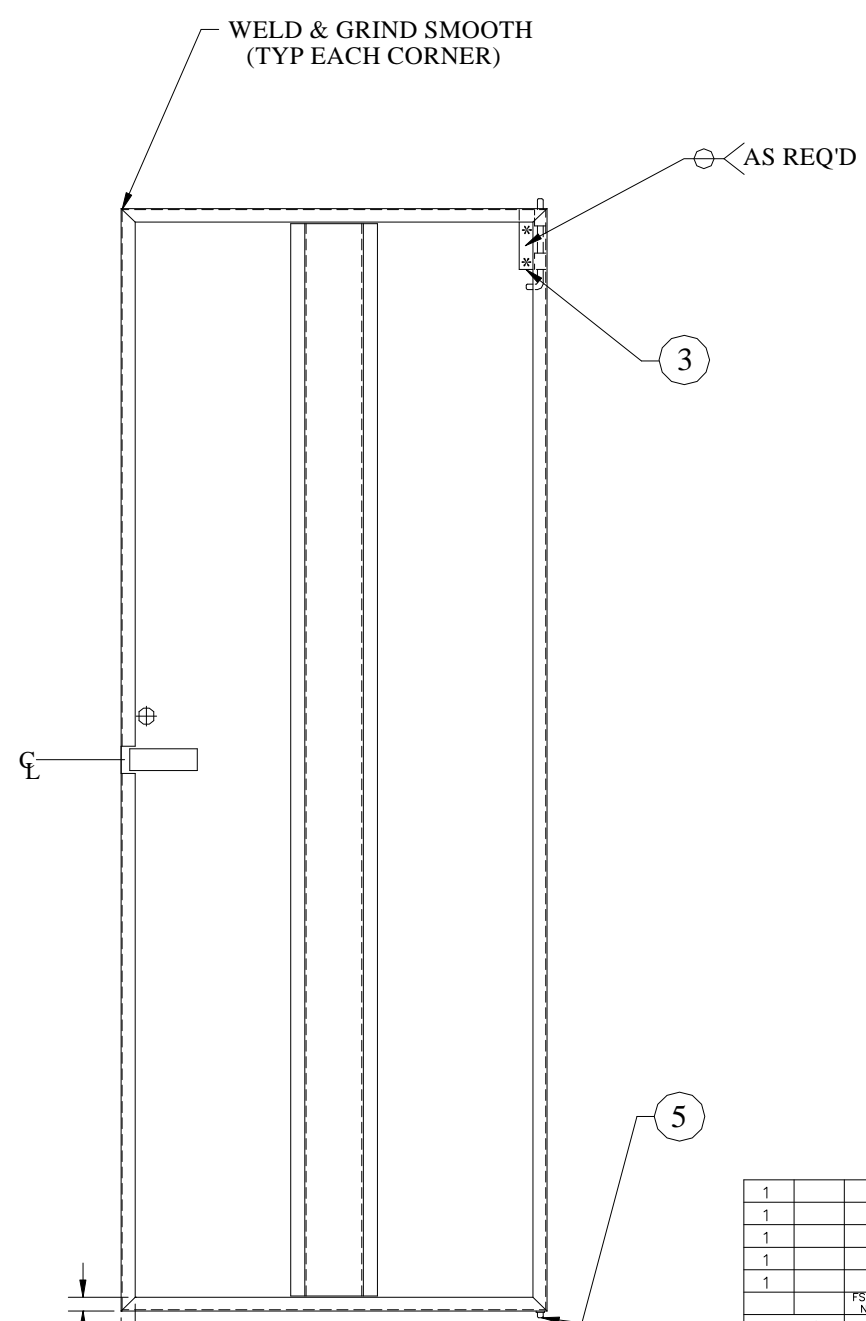
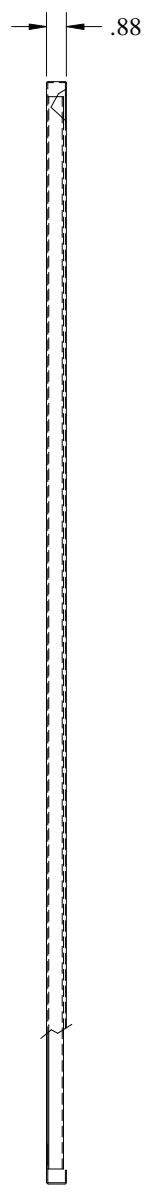
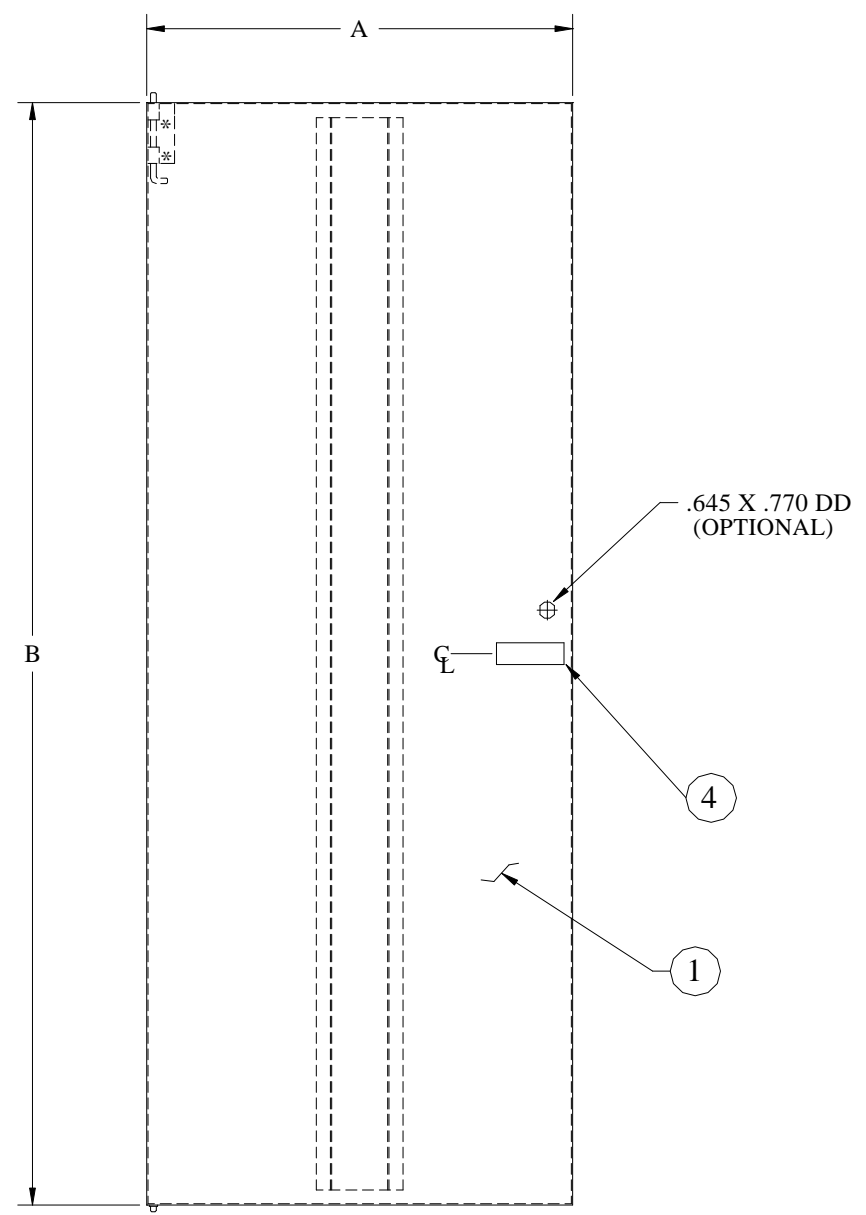


PART.#	A	B
#9120	18.94	22.69
#9121	18.94	41.94
#9122	18.94	62.94
#9123	18.94	69.94
#9124	18.94	76.94
#9124AVB	18.94	78.69

PART.#	A	B
#9120-23	22.94	22.69
#9121-23	22.94	41.94
#9122-23	22.94	62.94
#9123-23	22.94	69.94
#9124-23	22.94	76.94
#9124AVB-23	22.94	78.69



QTY REQ'D	FSCM NO.	PART OR IDENTIFYING NO.	PARTS LIST	MATERIAL SPECIFICATION	ITEM
1		#9726	PIVOT PIN		5
1		#9905	LATCH		4
1		#9738	CANE BOLT HINGE		3
1		STD	STIFFENER	18 GA CRS	2
1		SEE PART#	REAR FLUSH DOOR, SOLID	18 GA CRS	1

UNLESS OTHERWISE SPECIFIED DIMENSIONS ARE IN INCHES TOLERANCES ARE:		ACAD DWG NO.		3356 E. LA PALMA AVENUE ANAHEIM, CALIFORNIA 92806 (714) 666-8511 FAX (714) 666-8509	
FRACTIONS ± 1/16"	DECIMALS .XX ± .03 .XXX ± .015	ANGLES ± 1°	REAR FLUSH DOOR	CALIFORNIA CHASSIS, INC.	
MATERIAL: 18 GA CRS		APPROVALS	DATES	REAR FLUSH DOOR, SOLID	
FINISH: SEE SALE ORDER		DRAWN H. MEDINA	08/22/01	REAR FLUSH DOOR, SOLID	
DO NOT SCALE DRAWING		CHECKED		SIZE: D	FSCM NO. 00675
		ISSUED		DWG. NO. REAR FLUSH DOOR	REV. 1
				SCALE: NTS	SHEET: 1 OF 1

THIS DOCUMENT AND THE DRAWINGS AND TECHNICAL DATA CONTAINED HEREIN ARE THE PROPERTY OF CALIFORNIA CHASSIS INC. REPRODUCTION OR DISSEMINATION IN ANY FORM EXCEPT AS EXPRESSLY AUTHORIZED BY THE OWNER IS FORBIDDEN. THE HOLDER AGREES TO RETURN THIS DOCUMENT TO THE OWNER ON DEMAND.

Copyright by California Chassis Inc.