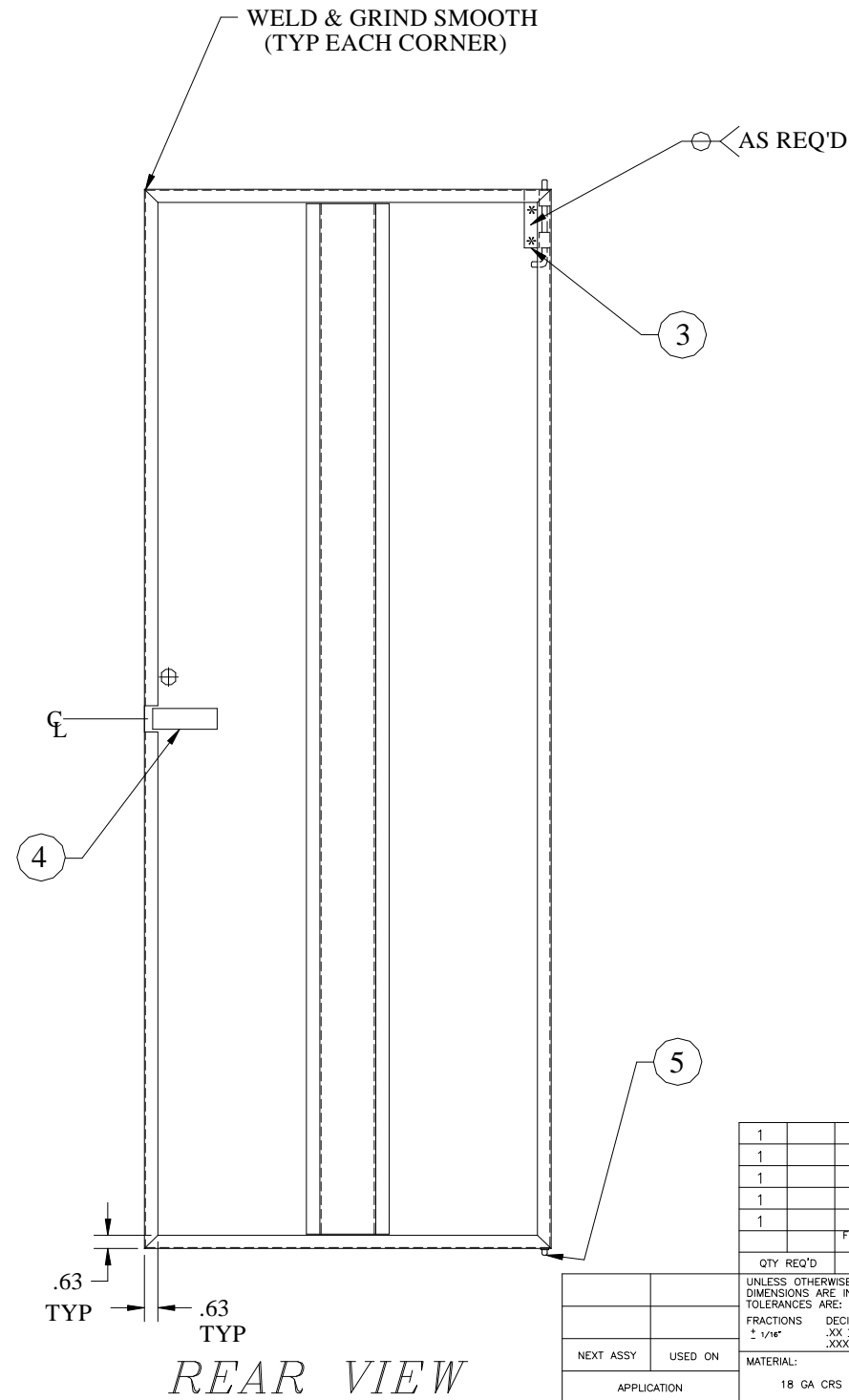
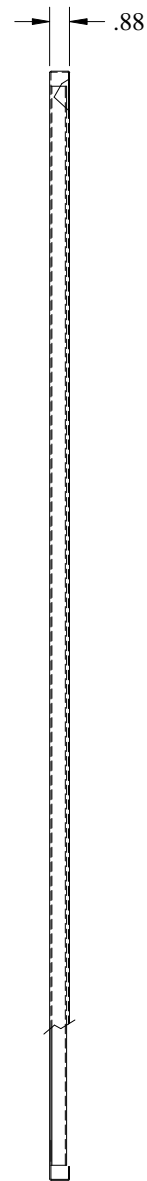
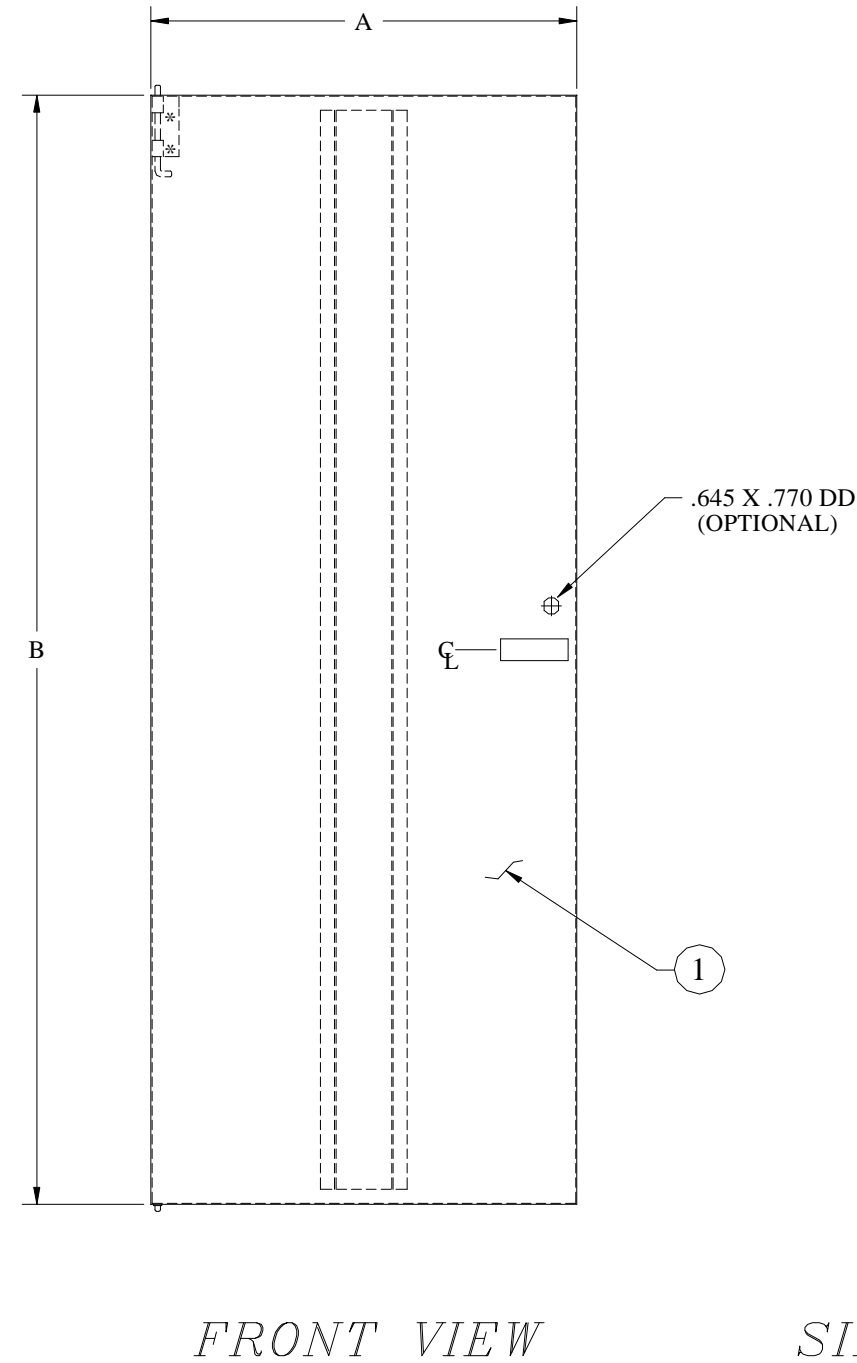
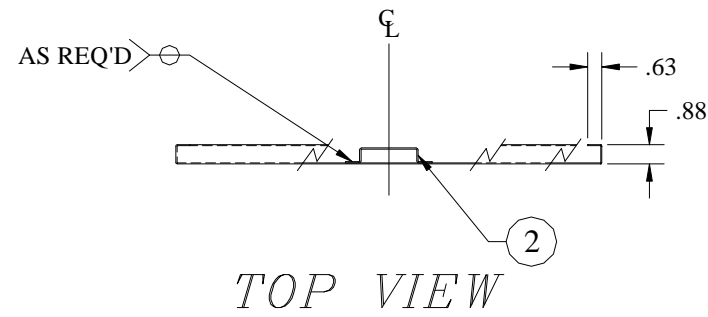


DWG. NO.	AUXILIARY REAR DOOR	SHEET	1	REV.	1
REVISIONS					
ZONE	REV.	DESCRIPTION	DATE	APPROVED	
		INITIAL RELEASE	08/22/01		



PART.#	A	B
#9975	18.94	12.19
#9976	18.94	31.44
#9977	18.94	52.44
#9978	18.94	59.44
#9979	18.94	66.44

PART.#	A	B
#9975-23	22.94	12.19
#9976-23	22.94	31.44
#9977-23	22.94	52.44
#9978-23	22.94	59.44
#9979-23	22.94	66.44

QTY REQ'D	FSCM NO.	PART OR IDENTIFYING NO.	NOMENCLATURE OR DESCRIPTION	MATERIAL SPECIFICATION	ITEM
1		#9726	PIVOT PIN		5
1		#9905	LATCH		4
1		#9738	CANE BOLT HINGE		3
1		STD	STIFFENER	18 GA CRS	2
1		SEE PART#	AUXILIARY REAR DOOR, SOLID	18 GA CRS	1

UNLESS OTHERWISE SPECIFIED DIMENSIONS ARE IN INCHES TOLERANCES ARE: FRACTIONS DECIMALS ANGLES ± 1/16" .XX ± .03 .XXX ± .015		ACAD DWG NO. AUXILIARY REAR DOOR	APPROVALS DRAWN H. MEDINA CHECKED		DATES 08/22/01	PARTS LIST CALIFORNIA CHASSIS, INC. 3356 E. LA PALMA AVENUE ANAHEIM, CALIFORNIA 92806 (714) 666-8511 FAX (714) 666-8509	
NEXT ASSY	USED ON	MATERIAL: 18 GA CRS	ISSUED	SCALE: NTS	SIZE: FSCM NO. D 00675		DWG. NO. AUXILIARY REAR DOOR
APPLICATION		FINISH: SEE SALE ORDER	DO NOT SCALE DRAWING		SHEET: 1 OF 1		

THIS DOCUMENT AND THE DRAWINGS AND TECHNICAL DATA CONTAINED HEREON ARE THE PROPERTY OF CALIFORNIA CHASSIS, INC. REPRODUCTION OR DISSEMINATION IN ANY FORM EXCEPT AS EXPRESSLY AUTHORIZED BY THE OWNER IS FORBIDDEN. THE HOLDER AGREES TO RETURN THIS DOCUMENT TO THE OWNER ON DEMAND.

Copyright by California Chassis Inc.