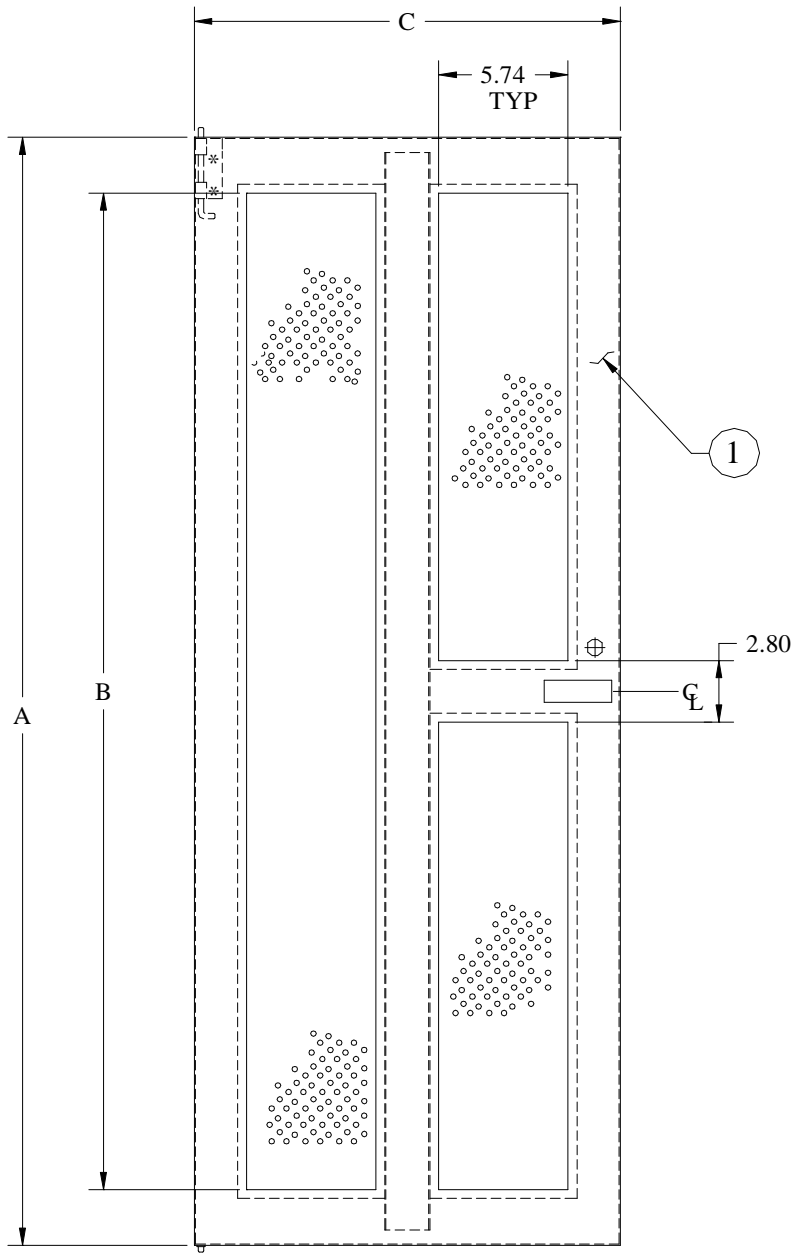
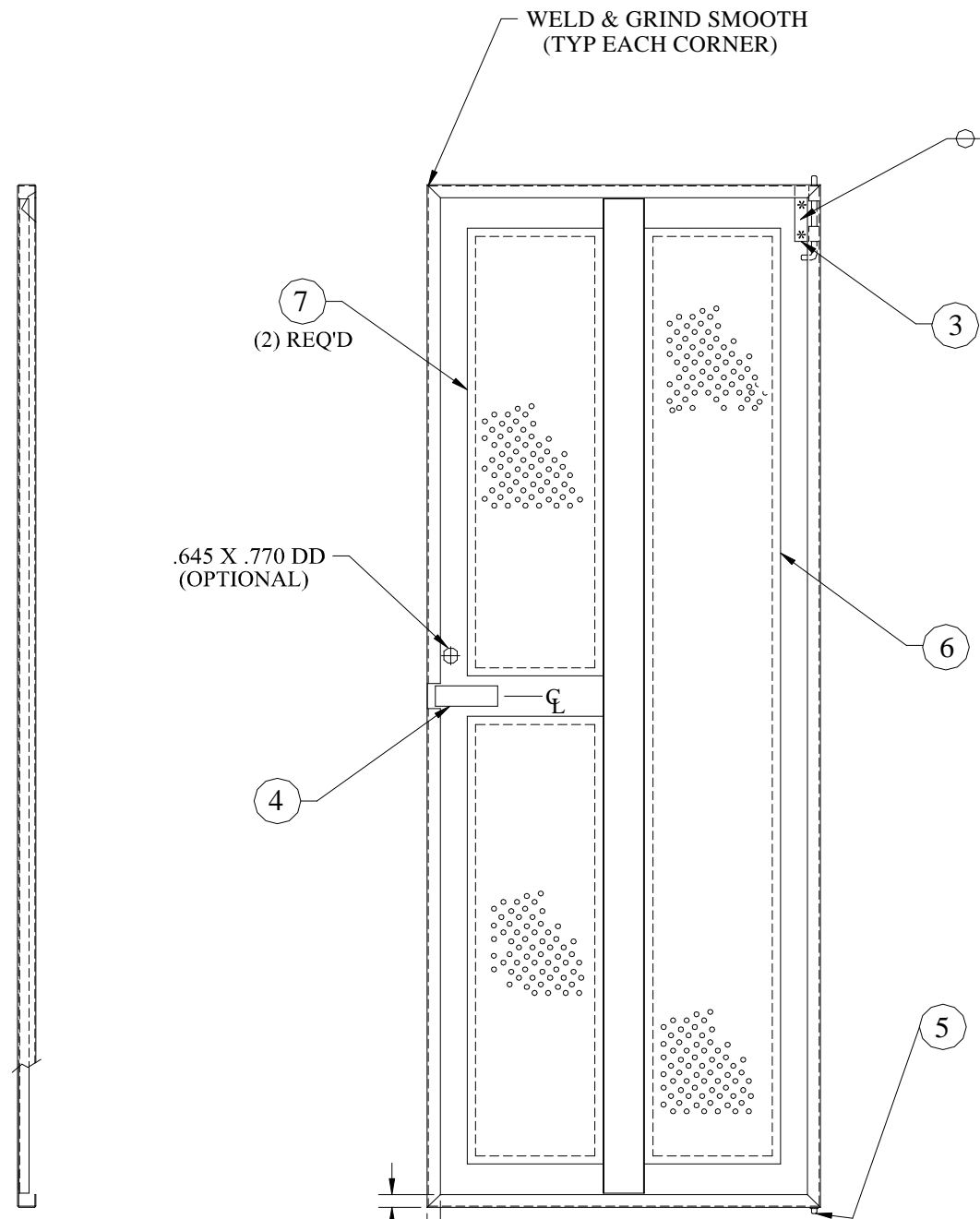


PART.#	A	B	C
#9975P	12.19	7.11	18.94
#9976P	31.44	26.36	18.94
#9977P	52.44	47.36	18.94
#9978P	59.44	54.36	18.94
#9979P	66.44	61.36	18.94



PART.#	A	B	C
#9975P-23	12.19	7.11	22.94
#9976P-23	31.44	26.36	22.94
#9977P-23	52.44	47.36	22.94
#9978P-23	59.44	54.36	22.94
#9979P-23	66.44	61.36	22.94



.645 X .770 DD (OPTIONAL)

QTY REQ'D	FSCM NO.	PART OR IDENTIFYING NO.	NOMENCLATURE OR DESCRIPTION	MATERIAL SPECIFICATION	ITEM
2		63% OPEN AREA	PERF. MATERIAL 5/32 DIA ON 3/16 CTR	16 GA PERF.	7
1		63% OPEN AREA	PERF. MATERIAL 5/32 DIA ON 3/16 CTR	16 GA PERF.	6
1		#9726	PIVOT PIN		5
1		#9905	LATCH		4
1		#9738	CANE BOLT HINGE		3
1		STD	STIFFENER	18 GA CRS	2
1		SEE PART#	AUXILIARY REAR DOOR, PERFORATED	18 GA CRS	1

UNLESS OTHERWISE SPECIFIED DIMENSIONS ARE IN INCHES
TOLERANCES ARE:
FRACTIONS ± 1/16" DECIMALS .XX ± .03 ANGLES ± 1'

ACAD DWG NO. AUXILIARY REAR DOOR

CALIFORNIA CHASSIS, INC. 3356 E. LA PALMA AVENUE ANAHEIM, CALIFORNIA 92806 (714) 666-8511 FAX (714) 666-8509

APPROVALS: DRAWN H. MEDINA, CHECKED, ISSUED

DATES: 08/22/01

AUXILIARY REAR DOOR, PERF.

SIZE: D FSCM NO. 00675 DWG. NO. AUXILIARY REAR DOOR REV. 1

SCALE: NTS SHEET: 1 OF 1

DO NOT SCALE DRAWING

Copyright by California Chassis Inc.

FRONT VIEW

SIDE VIEW

REAR VIEW