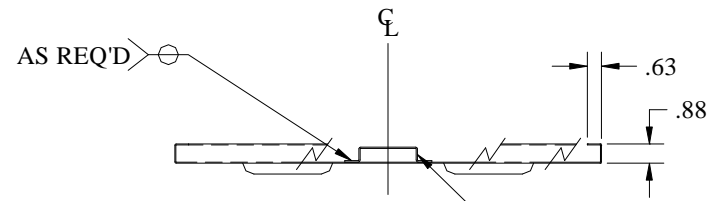
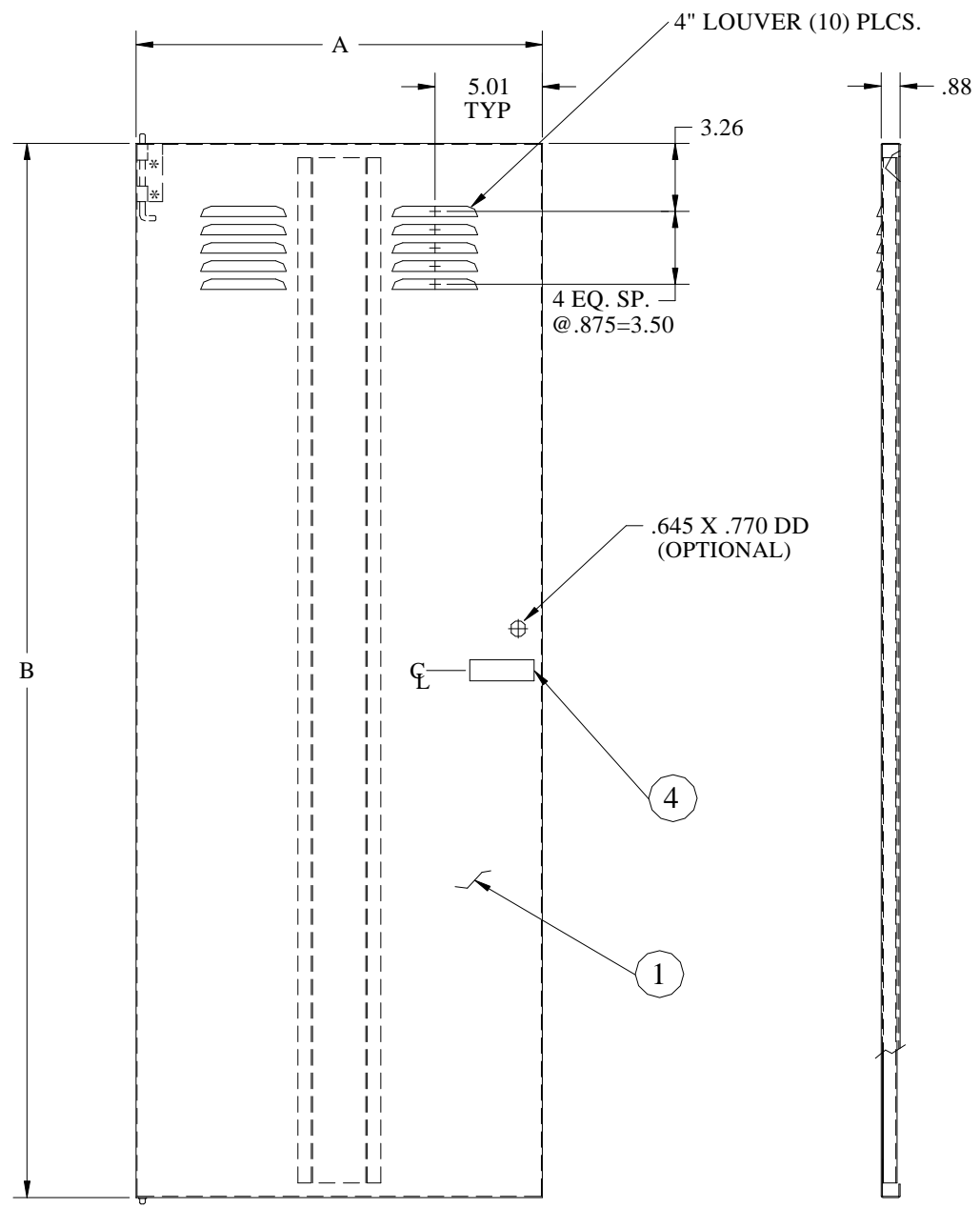


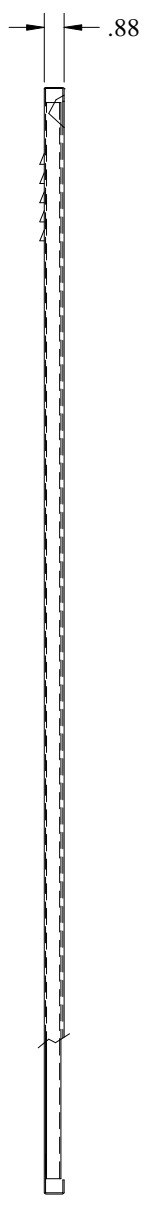
DWG. NO.	AUXILIARY REAR DOOR	SHEET	1	REV.		1
REVISIONS						
ZONE	REV.	DESCRIPTION	DATE	APPROVED		
		INITIAL RELEASE	08/22/01			



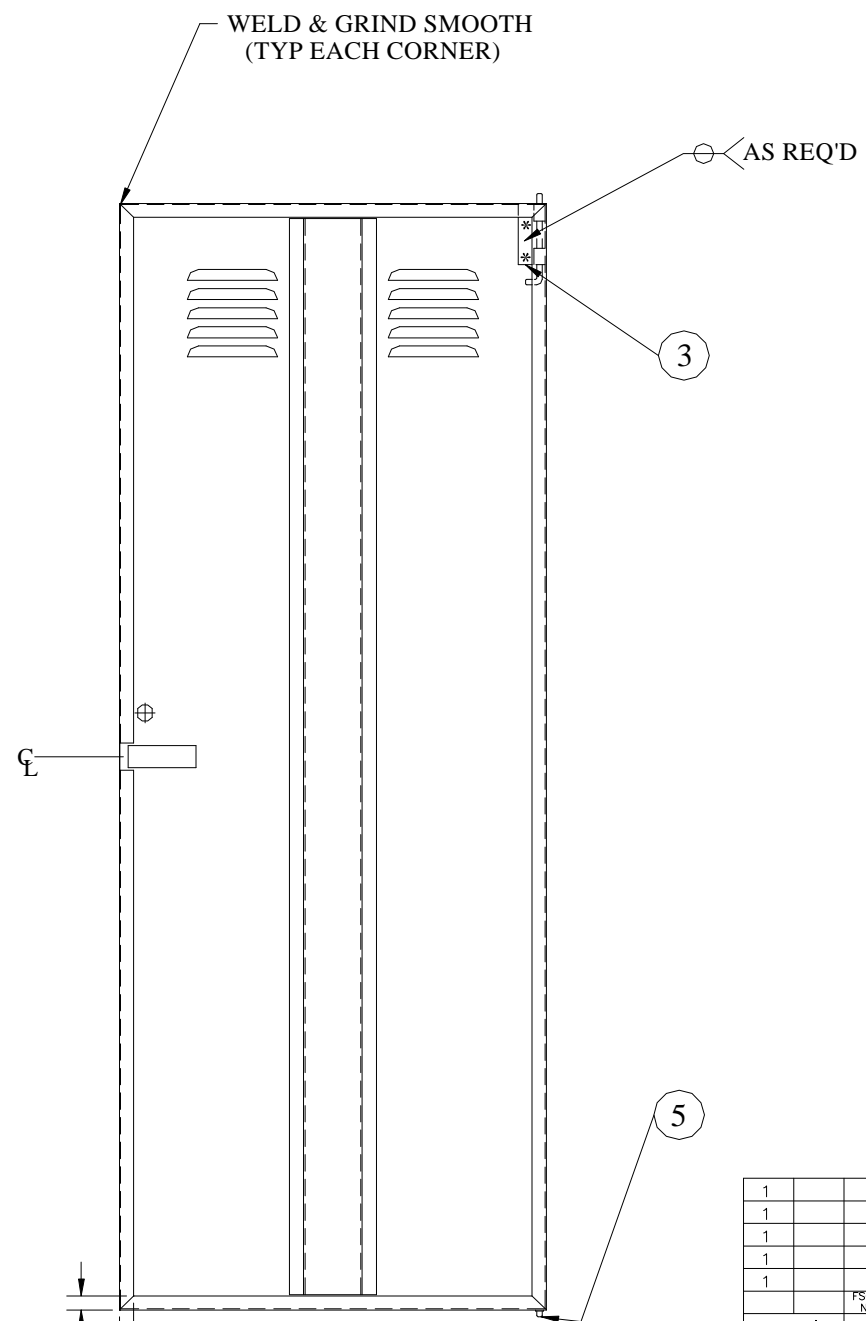
TOP VIEW



FRONT VIEW



SIDE VIEW



REAR VIEW

PART.#	A	B
#9700	18.94	12.19
#9701	18.94	31.44
#9702	18.94	52.44
#9703	18.94	59.44
#9704	18.94	66.44

PART.#	A	B
#9700-23	22.94	12.19
#9701-23	22.94	31.44
#9702-23	22.94	52.44
#9703-23	22.94	59.44
#9704-23	22.94	66.44

QTY REQ'D	PART OR IDENTIFYING NO.	DESCRIPTION	MATERIAL	ITEM
1	#9726	PIVOT PIN		5
1	#9905	LATCH		4
1	#9738	CANE BOLT HINGE		3
1	STD	STIFFENER	18 GA CRS	2
1	SEE PART#	AUXILIARY REAR DOOR, LOUVERED	18 GA CRS	1

UNLESS OTHERWISE SPECIFIED DIMENSIONS ARE IN INCHES TOLERANCES ARE:		ACAD DWG NO.		3356 E. LA PALMA AVENUE ANAHEIM, CALIFORNIA 92806 (714) 666-8511 FAX (714) 666-8509	
FRACTIONS ± 1/16"	DECIMALS .XX ± .03 .XXX ± .015	ANGLES ± 1°	AUXILIARY REAR DOOR	APPROVALS	DATES
MATERIAL: 18 GA CRS		DRAWN H. MEDINA		08/22/01	
FINISH: SEE SALE ORDER		CHECKED		ISSUED	
DO NOT SCALE DRAWING		SCALE: NTS		SIZE: D	
		FSCM NO. 00675		DWG. NO. AUXILIARY REAR DOOR	
		SHEET: 1		OF 1	

THIS DOCUMENT AND THE DRAWINGS AND TECHNICAL DATA CONTAINED HEREIN ARE THE PROPERTY OF CALIFORNIA CHASSIS INC. REPRODUCTION OR DISSEMINATION IN ANY FORM EXCEPT AS EXPRESSLY AUTHORIZED BY THE OWNER IS FORBIDDEN. THE HOLDER AGREES TO RETURN THIS DOCUMENT TO THE OWNER ON DEMAND.

Copyright by California Chassis Inc.