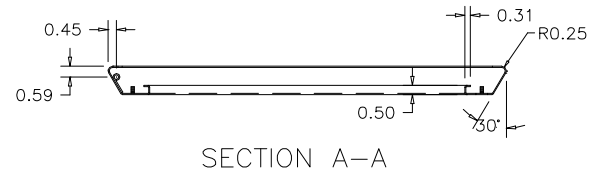
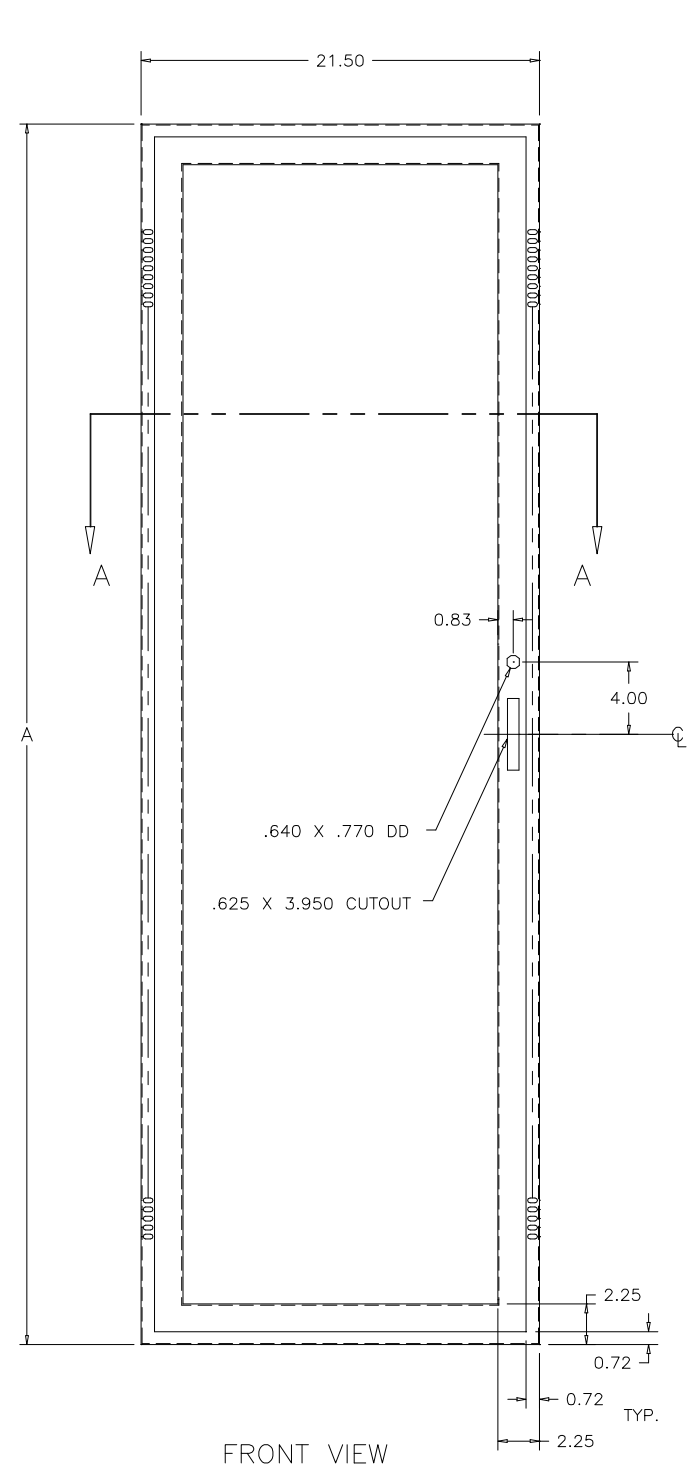


DWG. NO.	102245V	SHEET	1	REV.	A	1
REVISIONS						
ZONE	REV.	DESCRIPTION	DATE	APPROVED		
A		INITIAL RELEASE	07/19/97			

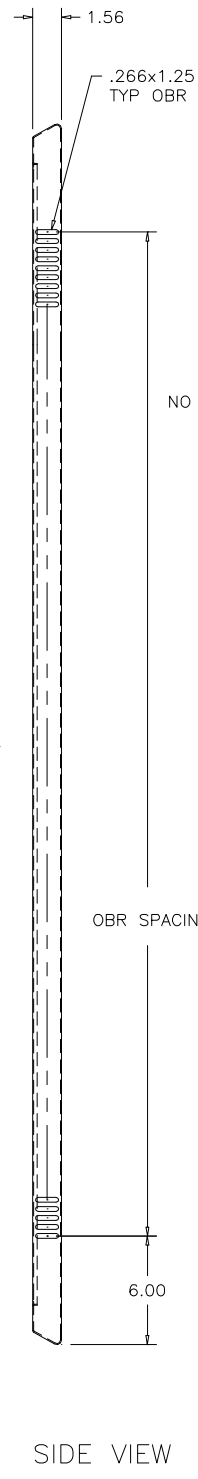
FIRST DASH NO. (v.p.o.)	A	C	NO. OF EQ. SP.	OBR SPACING
-22.75	27.22	25.56	N/A	TBD
-42	46.47	17.94	N/A	69 EQ SP @ .50 = 34.50
-63	67.47	26.88	2 EQ. SP. @ 11.89	111 EQ SP @ .50 = 55.50
-70	74.47	31.73	3 EQ. SP. @ 9.61	125 EQ SP @ .50 = 62.50
-77	81.47	35.43	3 EQ. SP. @ 10.78	139 EQ SP @ .50 = 69.50
-71.81	76.22	32.60	3 EQ. SP. @ 9.83	TBD
87.50	91.97	40.48	3 EQ. SP. @ 12.46	160 EQ.SP @ 50 = 80.00



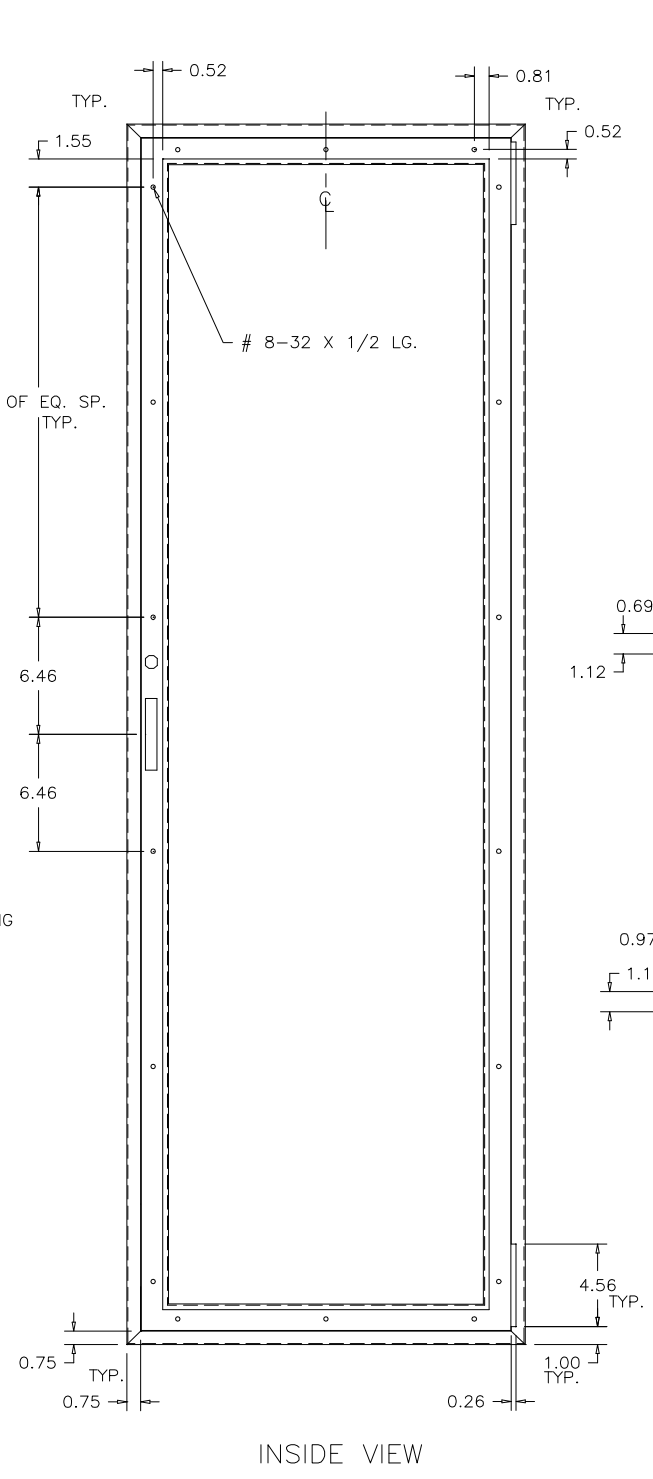
SECTION A-A



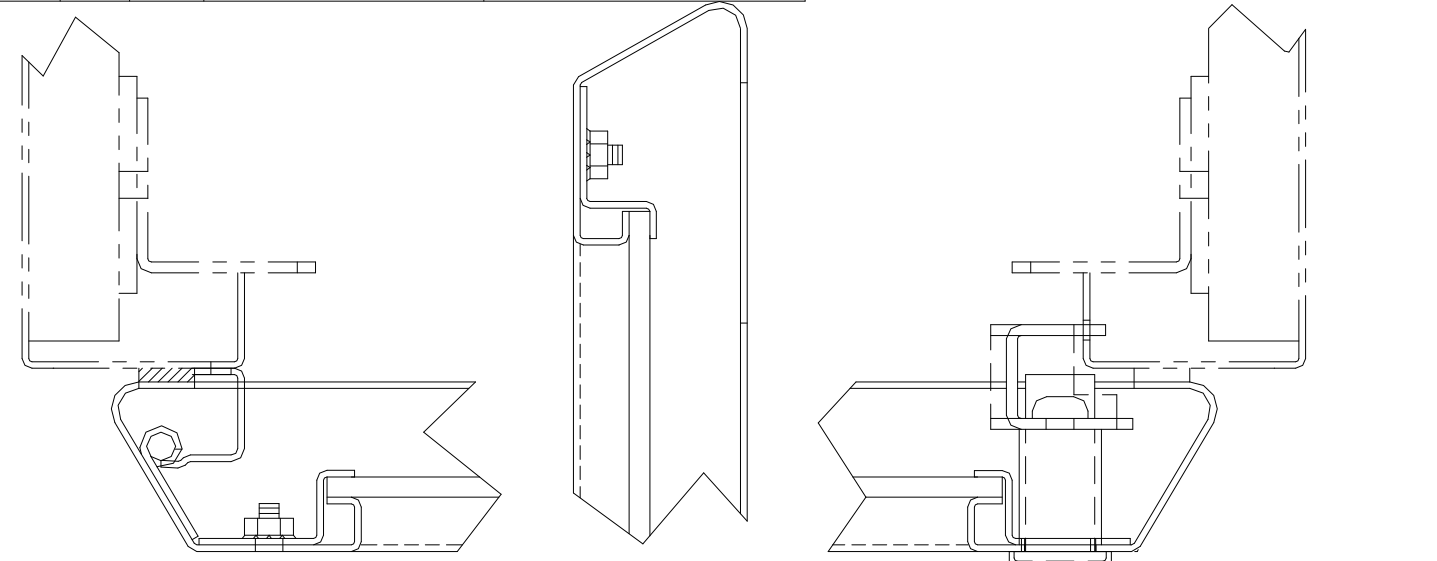
FRONT VIEW



SIDE VIEW

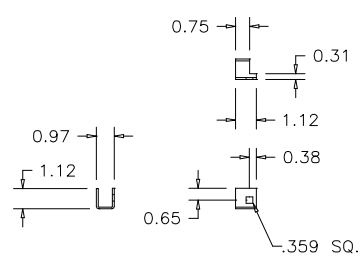


INSIDE VIEW

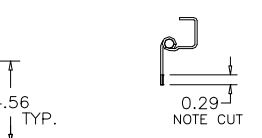


ITEM #7

ITEM #8



ITEM #13



ITEM #3

QTY REQ'D	FSCM NO.	PART OR IDENTIFYING NO.	NOMENCLATURE OR DESCRIPTION	MATERIAL SPECIFICATION	ITEM
1			CAM	12 GA. CRS	13
4			PHMS 8-32 X 1/2 LG.	STL	12
A/R			KEPS NUT 8-32	STL	11
A/R	832-8		WELD STUD 8-32 X 1/2 LG	STL	10
1	# 9945		KEYLOCK		9
4			ZEE BRKT. LEFT AND RIGHT	16 GA CRS	8
2			ZEE BRKT TOP AND BOTTOM	16 GA CRS	7
AR			MAG. GASKET 1/8 X 1/2		6
AR			GASKET OPEN CELL 1/8 X 1/2		5
1	#67-25		CONCEALED PULL HANDLE SOUTHCO		4
2	#F6-3		CONCEALED HINGE SOUTHCO		3
1			3/16 THK. PLEXIGLASS		2
1			FRAME	16 GA CRS	1

UNLESS OTHERWISE SPECIFIED DIMENSIONS ARE IN INCHES TOLERANCES ARE: FRACTIONS ± 1/16" DECIMALS .XXX ± .03 .XXX ± .015 ANGLES ± 1'

ACAD DWG NO. 102245V

CALIFORNIA CHASSIS, INC. 3356 E. LA PALMA AVENUE ANAHEIM, CALIFORNIA 92806 (714) 666-8511 FAX (714) 666-8509

APPROVALS: R MEJIA 06/23/95, J TENORIO 07/19/97

DATE: 07/19/97

ISSUED

SIZE: D FSCM NO. 00675 DWG. NO. 102245V REV. A

SCALE: 1=5 SHEET: 1 OF 1

DO NOT SCALE DRAWING

Copyright by California Chassis Inc.

THIS DOCUMENT AND THE DRAWINGS AND TECHNICAL DATA CONTAINED HEREIN ARE THE PROPERTY OF CALIFORNIA CHASSIS, INC. REPRODUCTION OR DISTRIBUTION IN ANY FORM WITHOUT THE EXPRESS AUTHORIZATION OF THE OWNER IS FORBIDDEN. THE HOLDER AGREES TO RETURN THIS DOCUMENT TO THE OWNER ON DEMAND.