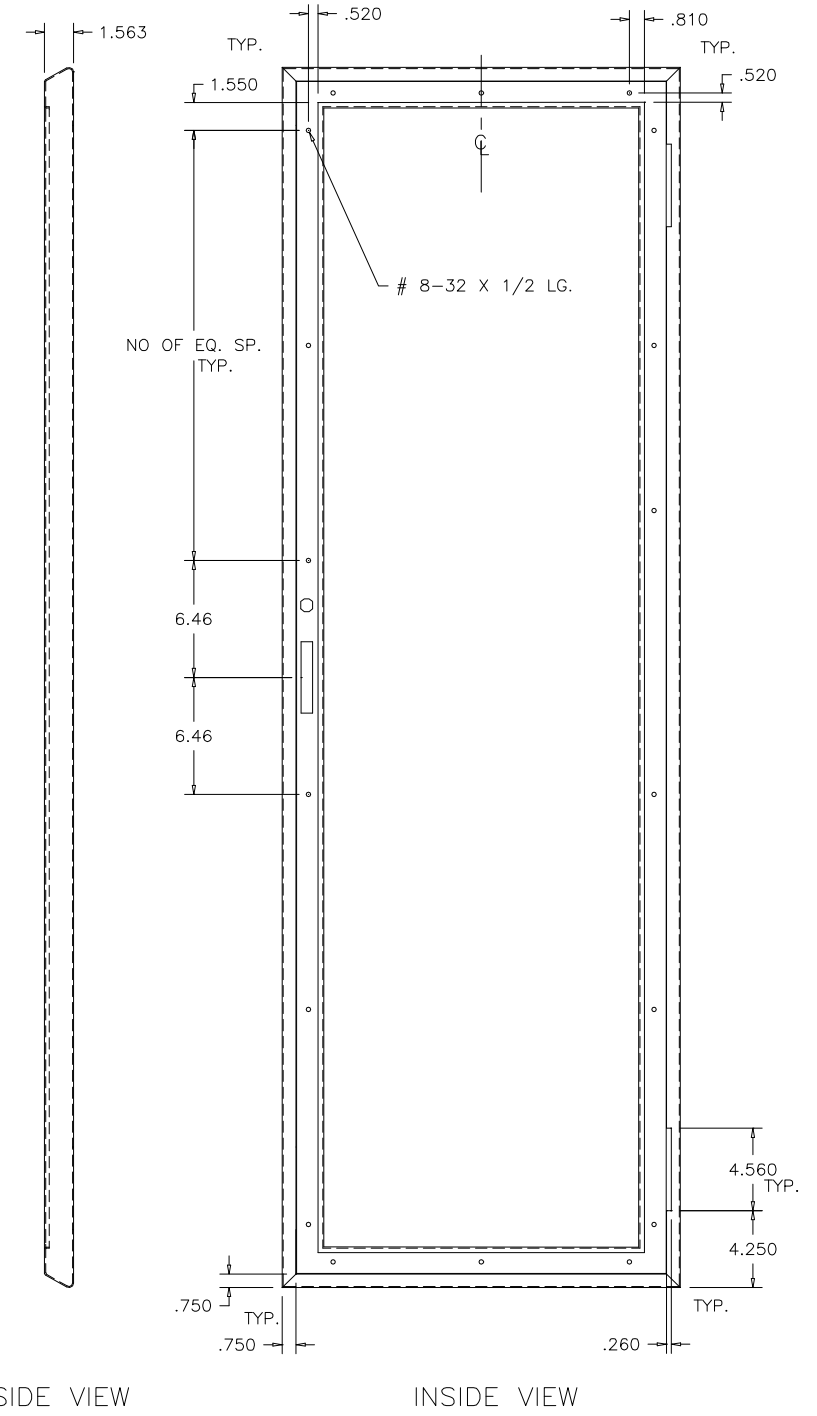
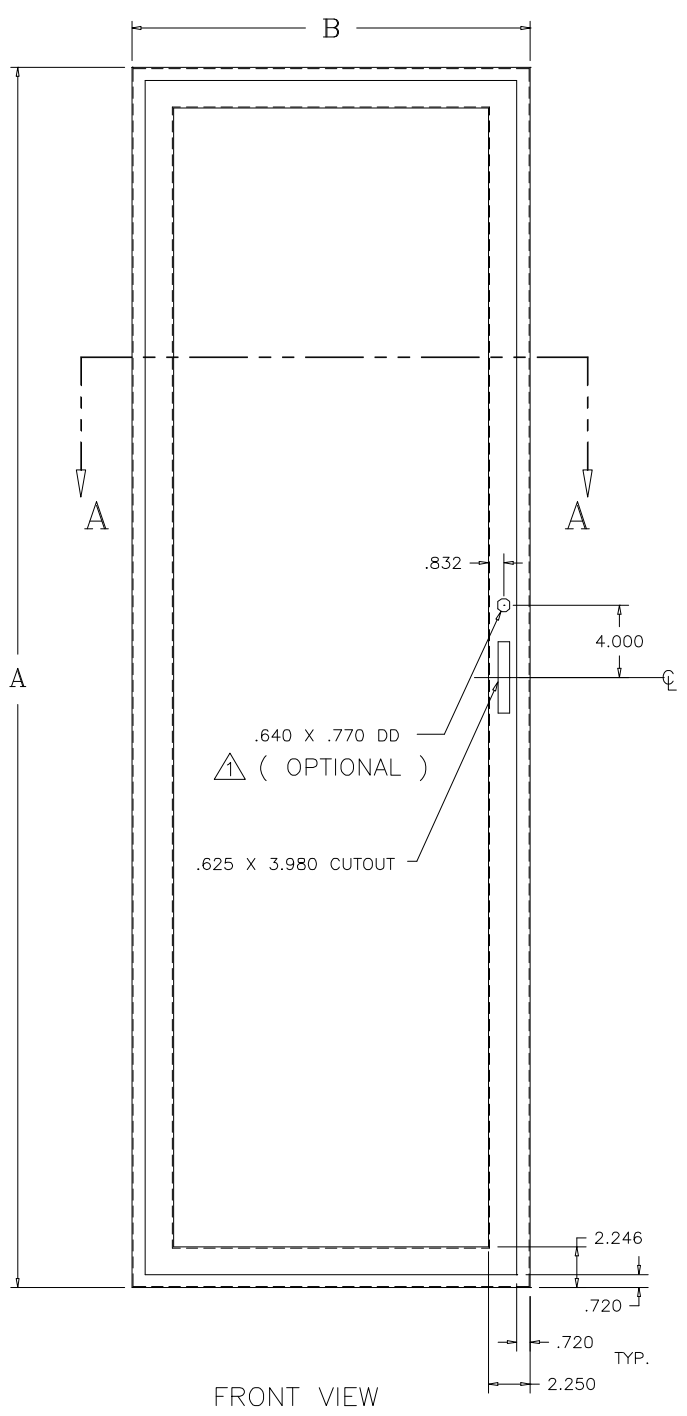
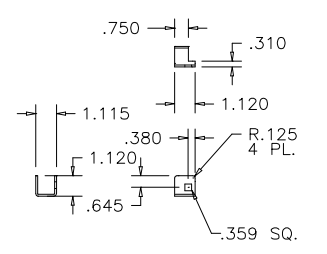
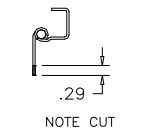
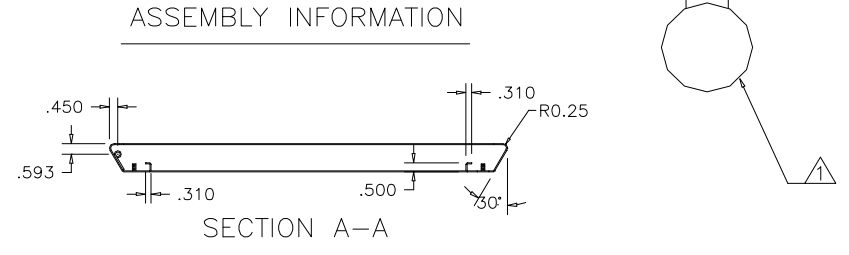
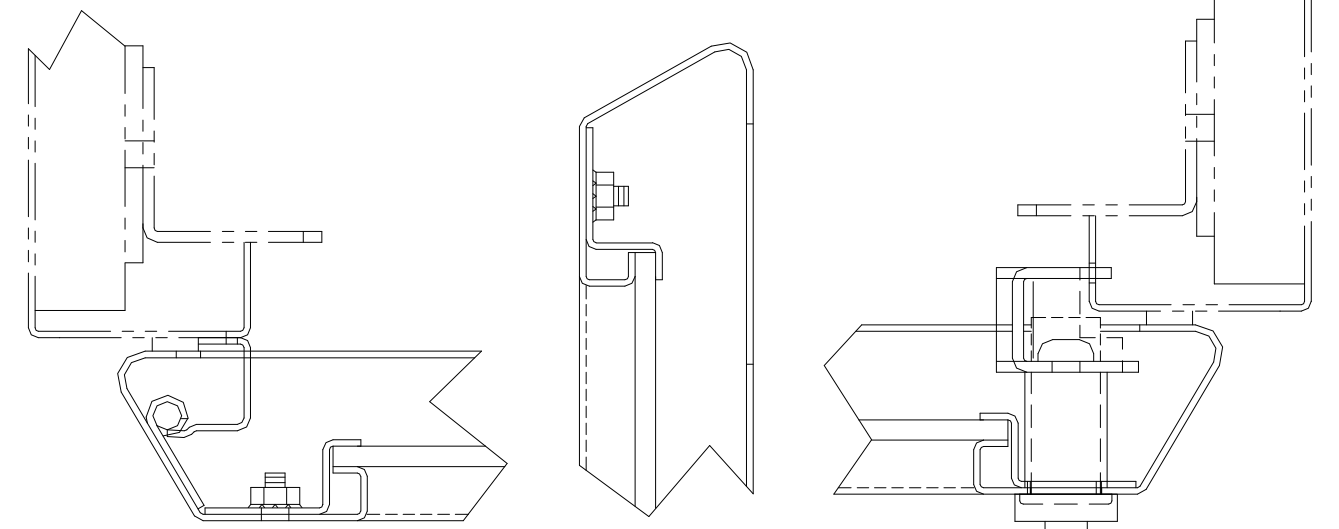
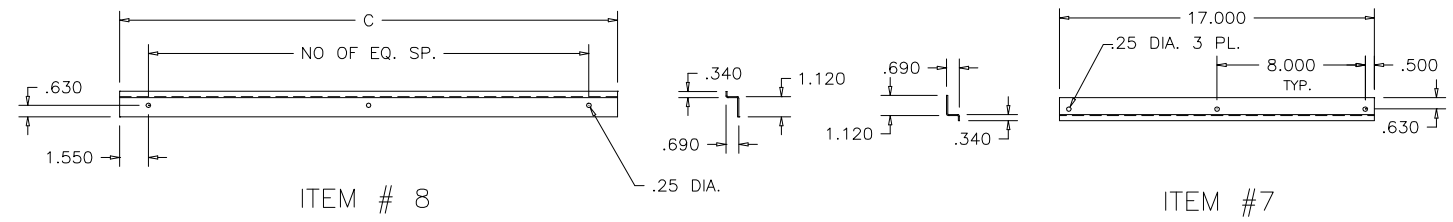


DWG. NO.	102245	SHEET	1	REV.	C	1
REVISIONS						
ZONE	REV.	DESCRIPTION	DATE	BY	APPROVED	
A		INITIAL RELEASE	06/23/95			
B		MOD. ITEM #8	01/31/97			
C		NOTES: 1. ADD -49 TO TABULATION 2. ADD "OPTIONAL" NOTE TO ITEMS 9 & 13 (KEYLOCK AND CAM ARE NOW OPTIONAL) 3. ADD -91 BUT REV. REMAINS THE SAME (05-02-00) DONE BY RAUL C.	12/07/97	JT	R. M.	

PART NO.	FIRST DASH NO. (V.P.O.)	SECOND DASH NO. (H.P.O.)	A	B	C	NO. OF EQ. SP.
102245	-22.75	-19	27.22	21.50	25.56	N/A
102245	-31.50	-19	35.97	21.50	8.51	N/A
102245	-36.75	-19	41.22	21.50	13.76	N/A
102245	-42	-19	46.47	21.50	16.38	N/A
102245	-49	-19	53.47	21.50	19.88	2 EQ. SP. @ 8.39
102245	-63	-19	67.47	21.50	26.88	2 EQ. SP. @ 11.89
102245	-70	-19	74.47	21.50	30.38	3 EQ. SP. @ 9.093
102245	-71.75	-19	76.22	21.50	31.25	3 EQ. SP. @ 9.385
102245	-77	-19	81.47	21.50	33.88	3 EQ. SP. @ 10.26
102245	-84	-19	88.47	21.50	37.38	3 EQ. SP. @ 11.426
102245	-91	-19	95.47	21.50	40.88	3 EQ. SP. @ 12.59

NOTE:
 ⚠ KEY LOCK IS OPTIONAL AND MUST BE SPECIFIED ON SALES ORDER.
 ⚠ PLEXIGLASS SIZE IS 3.88 SHORTER THAN "A" AND "B" DIMENSION.
 3 IF HOLES FOR DOOR INSTALLATION ARE NOT INCLUDED, THEY MAY BE DRILLED PER SHT. 2 OF DWG #102687.



QTY REQ'D	FSCM NO.	PART OR IDENTIFYING NO.	NOMENCLATURE OR DESCRIPTION	MATERIAL SPECIFICATION	ITEM
13		102245-100	CAM	12 GA. CRS	13
4			PHMS 8-32 X 1/2 LG.	STL	12
			KEYS NUT 8-32	STL	11
		832-8	WELD STUD 8-32 X 1/2 LG	STL	10
		# 9945	KEYLOCK		9
4			ZEE BRKT. LEFT AND RIGHT	16 GA CRS	8
2			ZEE BRKT TOP AND BOTTOM	16 GA CRS	7
			MAG. GASKET 1/8 X 1/2		6
			GASKET OPEN CELL 1/8 X 1/2		5
1		#67-25	CONCEALED PULL HANDLE SOUTHCO		4
2		#F6-3	CONCEALED HINGE SOUTHCO		3
1			3/16 THK. PLEXIGLASS		2
1			FRAME	16 GA CRS	1

UNLESS OTHERWISE SPECIFIED DIMENSIONS ARE IN INCHES TOLERANCES ARE: FRACTIONS ± 1/16" DECIMALS .XX ± .03 .XXX ± .015 ANGLES ± 1°

ACAD DWG NO. 102245C CALIFORNIA CHASSIS, INC. 3356 E. LA PALMA AVENUE ANAHEIM, CALIFORNIA 92806 (714) 666-8511 FAX (714) 666-8509

APPROVALS: DRAWN R MEJIA, CHECKED, ISSUED, DATES 06/23/95

MATERIAL: SEE PART LIST

FINISH: TBD

DO NOT SCALE DRAWING

SIZE: D 00675 DWG. NO. 102245 REV. C

SCALE: 1=5 SHEET: 1 OF 1

THIS DOCUMENT AND THE DRAWINGS AND TECHNICAL DATA CONTAINED HEREIN ARE THE PROPERTY OF CALIFORNIA CHASSIS, INC. REPRODUCTION OR DISSEMINATION IN ANY FORM WITHOUT EXPRESSLY AUTHORIZED BY THE OWNER IS FORBIDDEN. THE HOLDER AGREES TO RETURN THIS DOCUMENT TO THE OWNER ON DEMAND.

Copyright by California Chassis Inc.