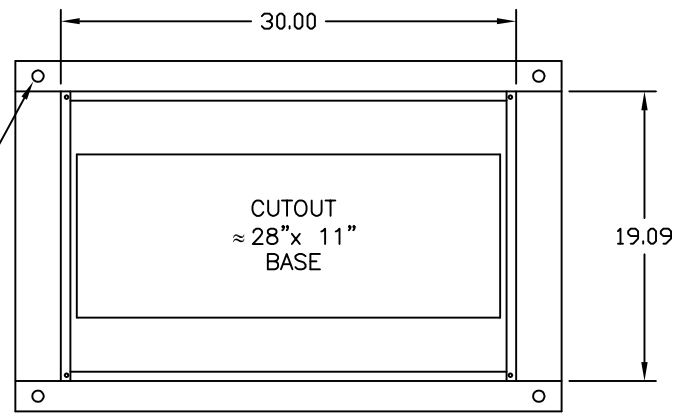
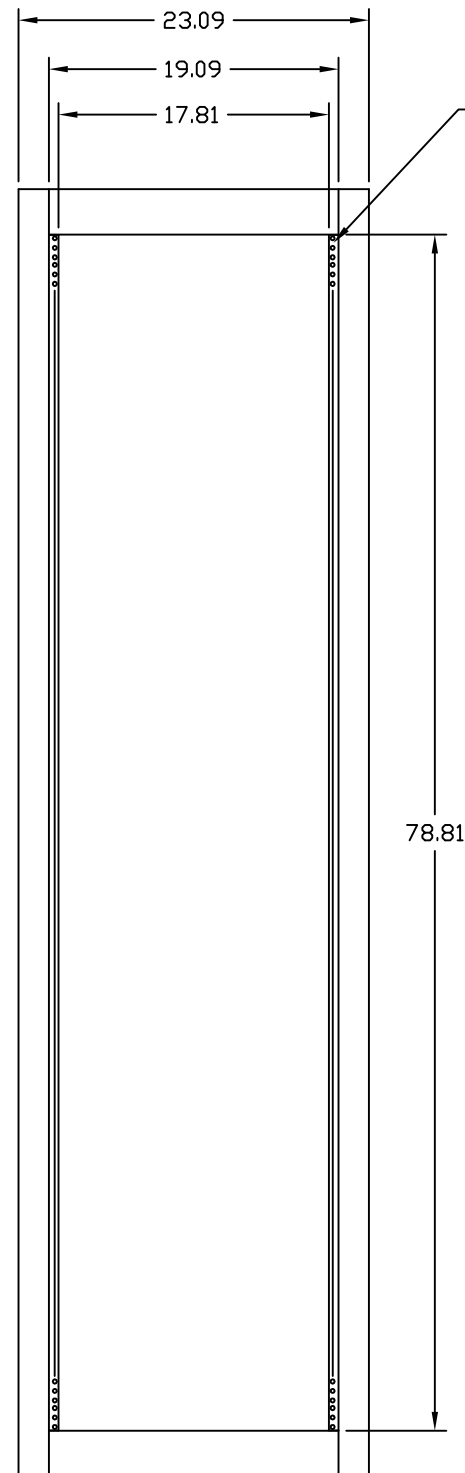


BASE: LEVELER NUT PLATES
TOP: LIFTING BOLT HOLES

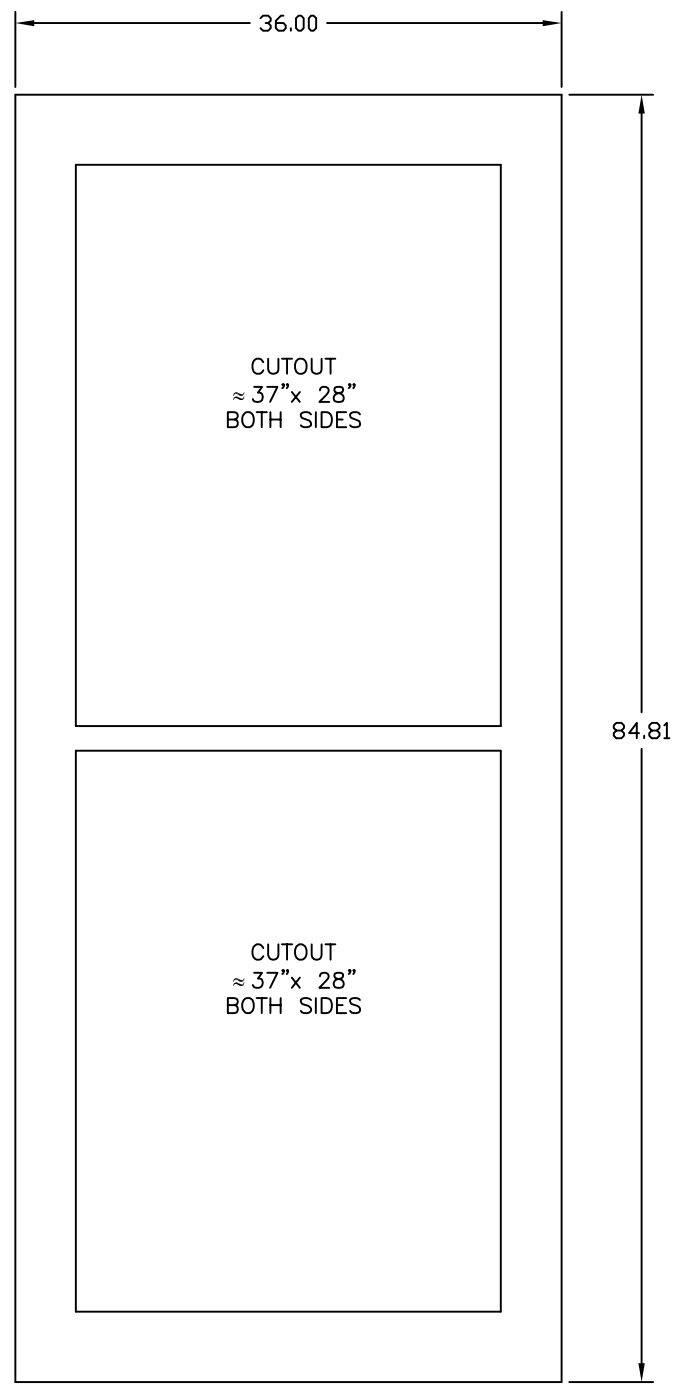


TOP VIEW

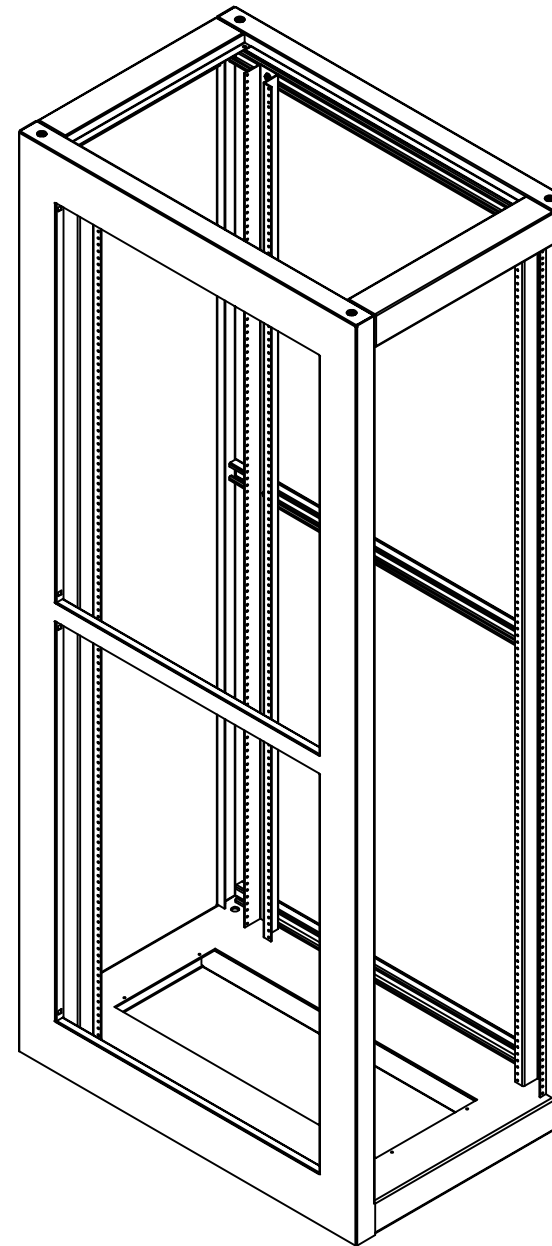


FRONT VIEW

#10-32
EIA/RETMA



SIDE VIEW



Features:

Seismic 19" rack with #10-32 EIA/RETMA mounting rackrail brackets feature infinite adjustment and provide convenient cable tie points. Complies with UBC Seismic Zone 4 for protecting 800 lbs. of essential equipment. Seismic tested in accordance with Bellcore GR-63-CORE, Paragraph 4.4.1/5.4.1

Includes:

Welded frame and strut members for accessory and cable management attachment. Tapped combination 45U rackrail (4x). and EIA/RETMA Universal hole patterns

Material(s):

Base: 10 Gage (.134") Cold rolled steel.
Frame: 14 Gage (.075") Cold rolled steel.
Rackrails: 12 Gage (.105") Cold rolled steel.

Finish:

Semi-gloss textured black paint.
Rackrails: Clear Zinc plating
(Other finishes available on request)

Compatible Accessories:

All System 90 accessories for a 78.81" (45U) High x 36" Deep x EIA 19" Cabinet Frame

FOR MORE DETAIL, REQUEST SPECIFICATION DRAWING(S)
NOT TO SCALE

Part No. 103074	Rev -
Date 05-08-02	Drawn: RM
Description	
SEISMIC RACK	
78.8" (45U)H x 36" D x EIA 19"	



3356 E. La Plama Avenue, Anaheim, CA 92806
Phone: (714) 666-8511 Fax: (714) 666-8509
www.calchassis.com