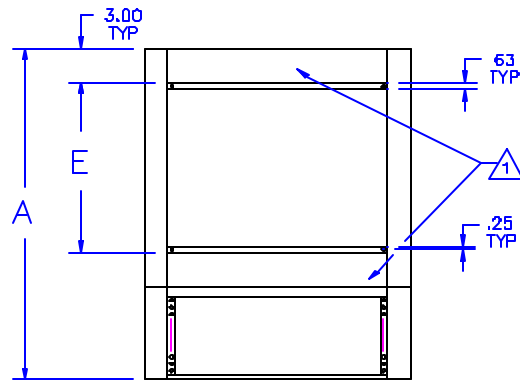
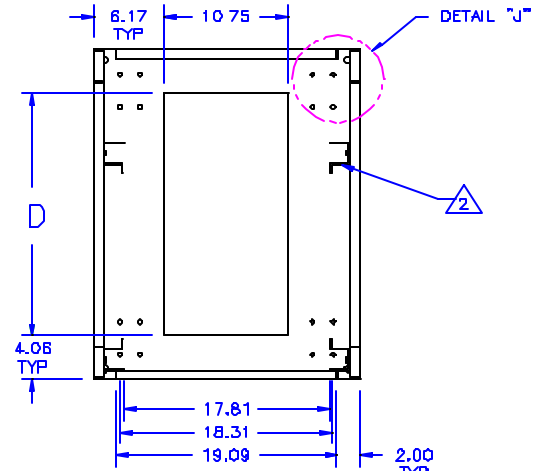


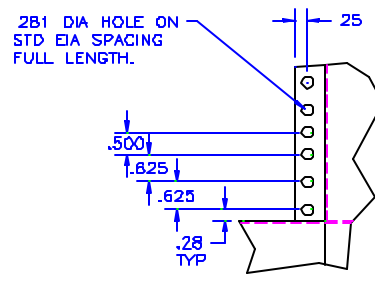
DWG. NO. SYSTEM 90		SHEET 1	REV. B	1
REVISIONS				
ZONE	REV.	DESCRIPTION	DATE	APPROVED
	A	INITIAL RELEASE	10/08/85	
	B	REDRAWN ON ACAD. ADD .825 & .38 KNOCK-OUTS.	08/30/92	



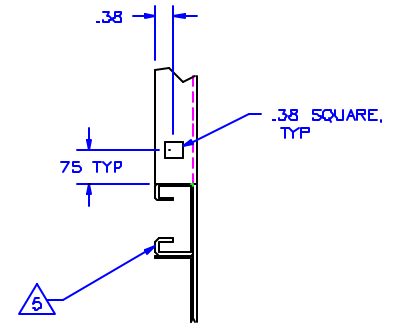
TOP VIEW



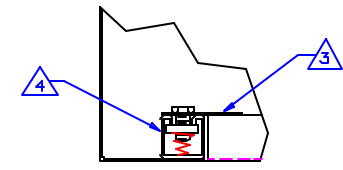
SECTION A-A



DETAIL "D"



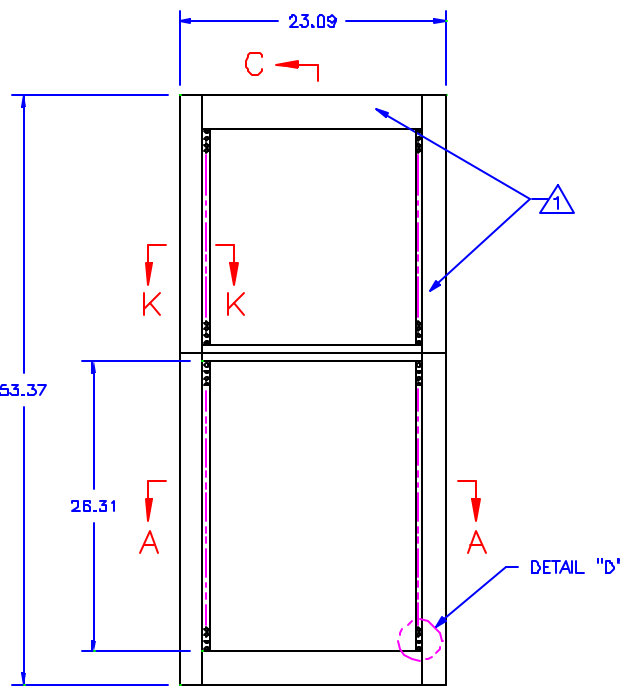
DETAIL "E"



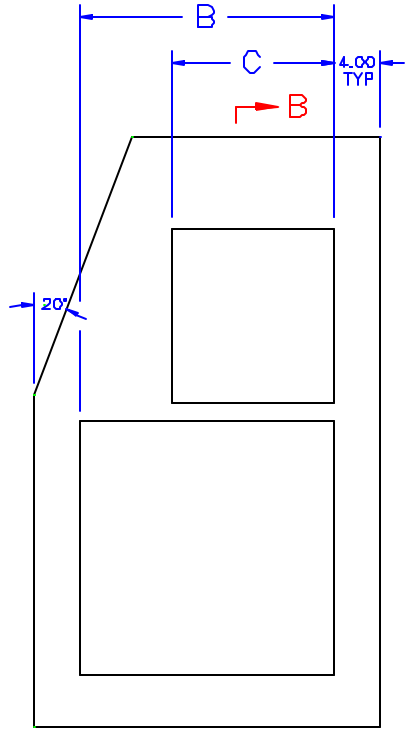
SECTION K-K

FRAME ONLY					
INCLUDES (2 PAIR) COMBINATION MTG CHANNELS.					
PART#	A	B	C	D	E
5201	24.00	15.00	10.50	15.88	9.52
6201	30.00	22.00	14.00	21.88	15.52

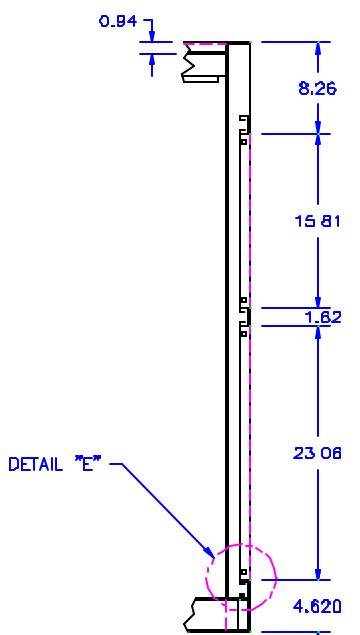
- NOTES: ALL WELDED CONSTRUCTION.
- 1 FRAME 18 GA(.059) CRS
 - 2 COMBINATION MTG CHANNEL, (2) PAIR STANDARD REQ'D.
 - 3 FLAT MOUNTING RAIL, (1) PAIR STANDARD REQ'D.
 - 4 BOLTING CHANNEL (P8000 UNISTRUT OR EQUAL) 13/16 X 13/16 X 16 GA STEEL, 2 PLCS.
 - 5 BOLTING CHANNEL (P4000 UNISTRUT OR EQUAL) 13/16 X 1 5/8 X 16 GA STEEL, 3 PLCS PER SIDE.
 - 6 FINISH: DEGREASED AND STEAM PHOSPHATIZED PAINT WITH COMMERCIAL BAKING ENAMEL PER FED-STD-595



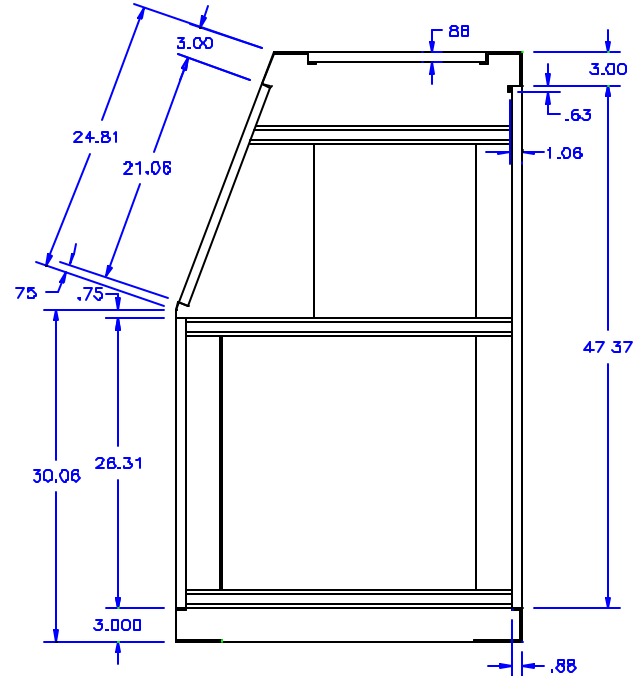
FRONT VIEW



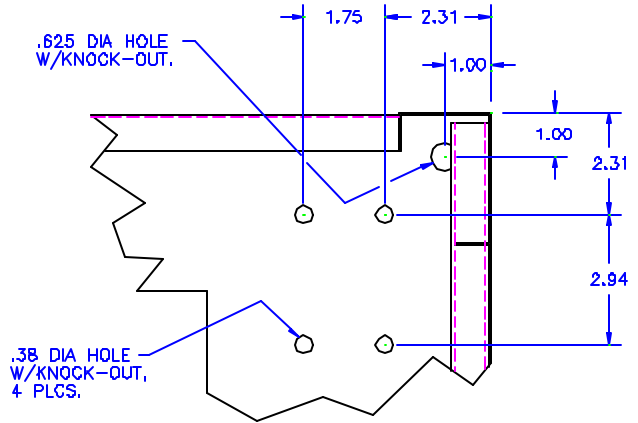
SIDE VIEW
LESS COMBINATION MTG CHANNEL



SECTION B-B



SECTION C-C



DETAIL "J"
TYP 4 CORNERS.

QTY REQ'D		PART OR IDENTIFYING NO.		NOMENCLATURE OR DESCRIPTION		MATERIAL SPECIFICATION		ITEM
UNLESS OTHERWISE SPECIFIED DIMENSIONS ARE IN INCHES TOLERANCES ARE: FRACTIONS DECIMALS ANGLES ± 1/16 ± .03 ± 1° ± .015 ± .1°								
NEXT ASSY		USED ON		APPROVALS		DATES		CALIFORNIA CHASSIS, INC. 3356 E. LA PALMA AVENUE ANAHEIM, CALIFORNIA 92806 (714) 886-8511 FAX (714) 886-9609 SLOPE CABINET
APPLICATION		MATERIAL		DRAWN		CHECKED		
		FINISH		ISSUED				
SCALE 1/8"		PART NO.		DWG. NO.		REV.		
D		00675		SYSTEM 90		B		
SHEET: 1		OF 1						