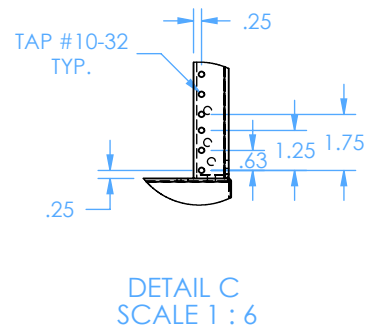
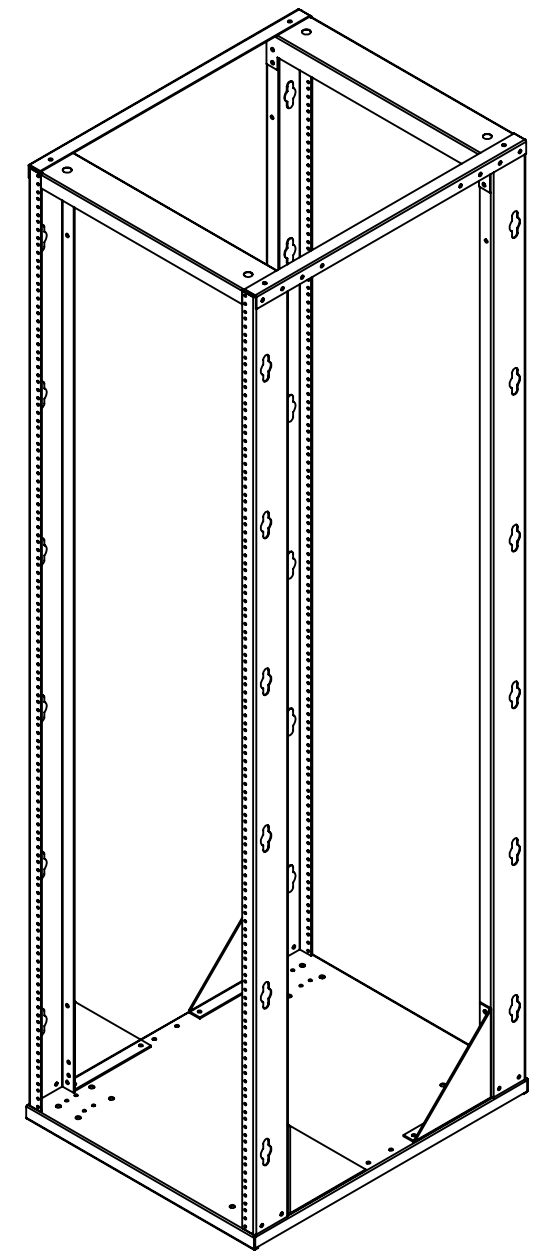
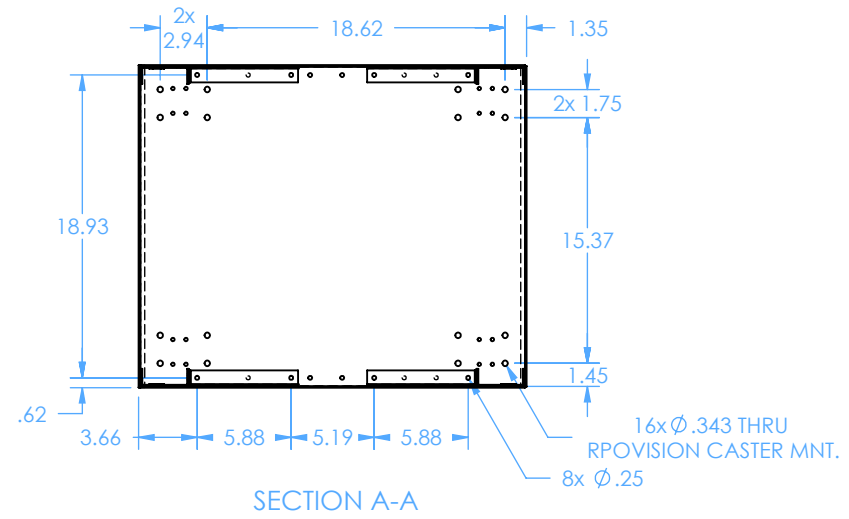
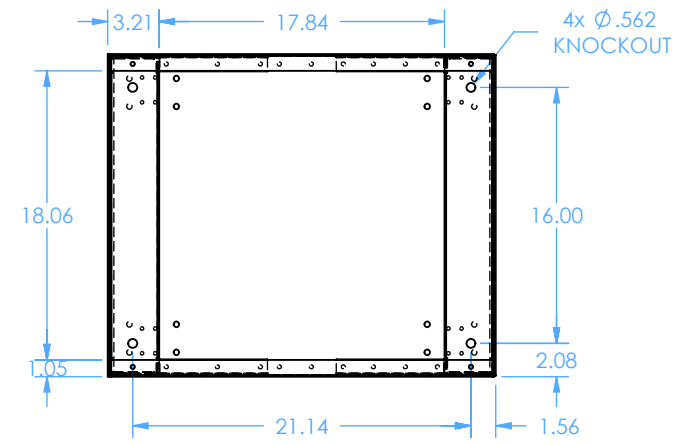
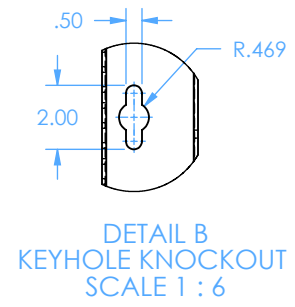
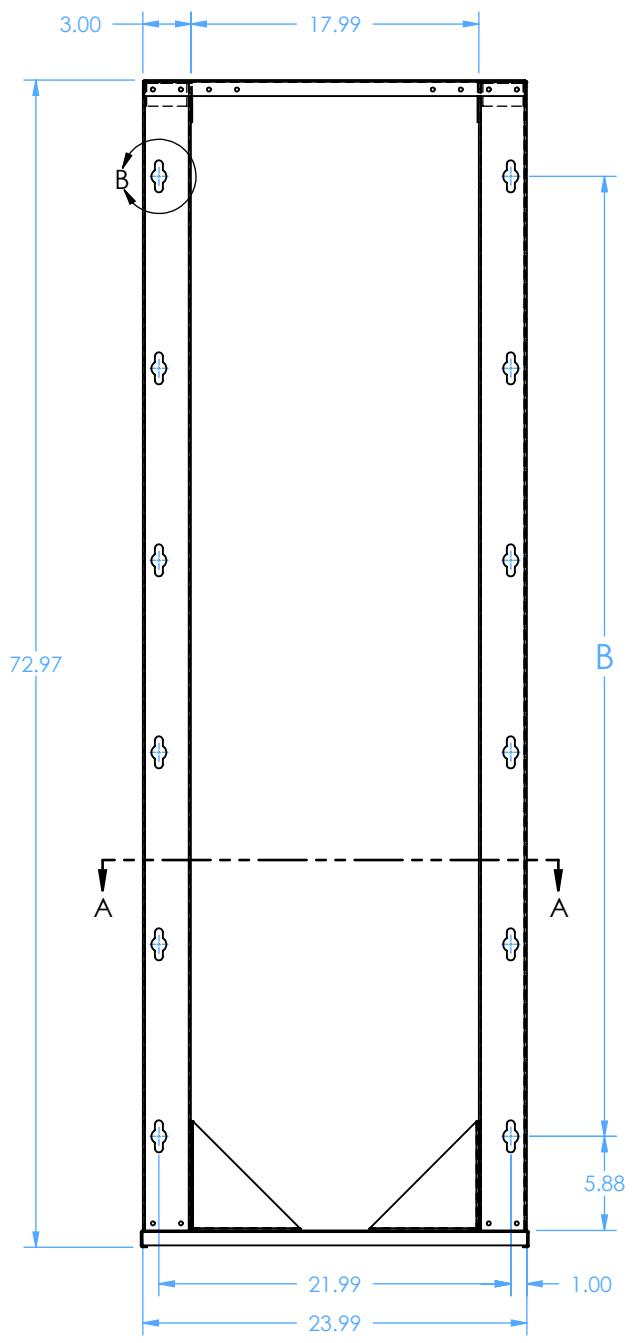
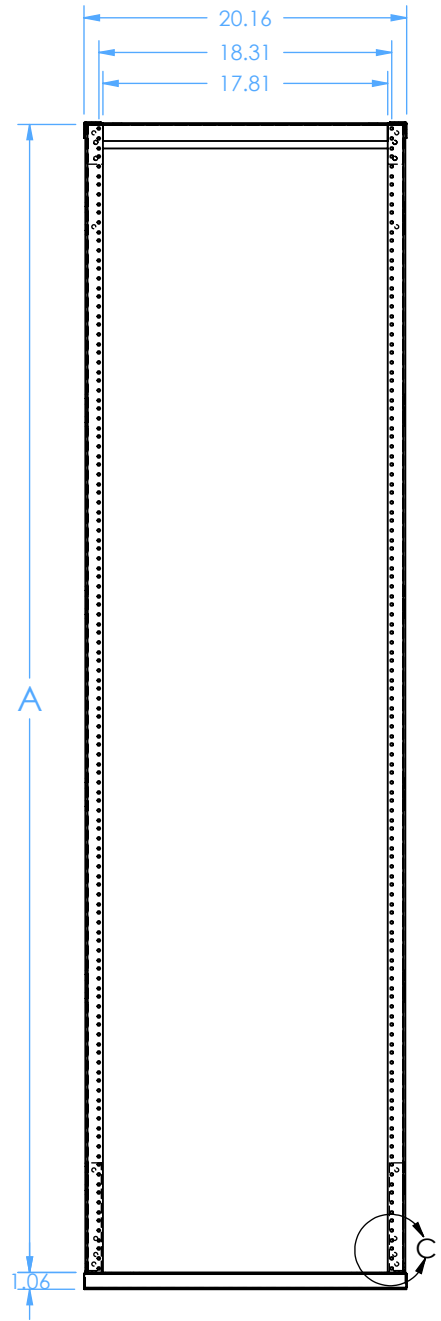


| | | | | | |
|-----------|----------|-----------------|----------|----------|---|
| DWG. NO. | ST4PORXX | SHEET | 1 | REV. | 1 |
| REVISIONS | | | | | |
| ZONE | REV. | DESCRIPTION | DATE | APPROVED | |
| | | INITIAL RELEASE | 10/02/08 | | |



| DASH # | A (LENGTH) | B (HOLE PATTERN) |
|--------|------------|------------------------|
| -42 | 43.75 | 2 EQ. SP. @16.00=32.00 |
| -63 | 64.75 | 4 EQ. SP. @13.25=53.00 |
| -70 | 71.75 | 5 EQ. SP. @12.00=60.00 |
| -77 | 78.75 | 5 EQ. SP. @13.40=67.00 |
| -78 | 80.50 | 5 EQ. SP. @13.75=68.75 |



| | | | | | | |
|---|--------------------|----------------------|-------------------------|-----------------------------|------------------------|---|
| QTY REQ'D | | FSCM NO. | PART OR IDENTIFYING NO. | NOMENCLATURE OR DESCRIPTION | MATERIAL SPECIFICATION | ITEM |
| UNLESS OTHERWISE SPECIFIED DIMENSIONS ARE IN INCHES TOLERANCES ARE: | | CAD DWG NO. ST4PORXX | | CALIFORNIA CHASSIS, INC. | | 3356 E. LA PALMA AVENUE ANAHEIM, CALIFORNIA 92806 (714) 666-8511 FAX (714) 666-8509 |
| FRACTIONS ± 1/16" | DECIMALS .XX ± .03 | ANGLES ± 1° | APPROVALS | DATE | 4 POST OPEN RACK | |
| MATERIAL: CRS | | | DRAWN LL | 01/02/08 | REV | |
| FINISH: PER P.O. INSTRUCTION | | | CHECKED RM | 10/02/08 | REV | |
| DO NOT SCALE DRAWING | | | ISSUED | | SIZE B | FSCM NO. 00675 |
| | | | | | DWG. NO. ST4PORXX | REV |
| | | | | | SCALE: 1=12 | SHEET 1 OF X1 |

THIS DOCUMENT AND THE DRAWINGS AND TECHNICAL DATA CONTAINED HEREON ARE THE PROPERTY OF CALIFORNIA CHASSIS INC. REPRODUCTION OF DISSEMINATION IN ANY FORM EXCEPT AS EXPRESSLY AUTHORIZED BY THE OWNER IS FORBIDDEN. THE HOLDER AGREES TO RETURN THIS DOCUMENT TO THE OWNER ON DEMAND.

Copyright by California Chassis Inc.