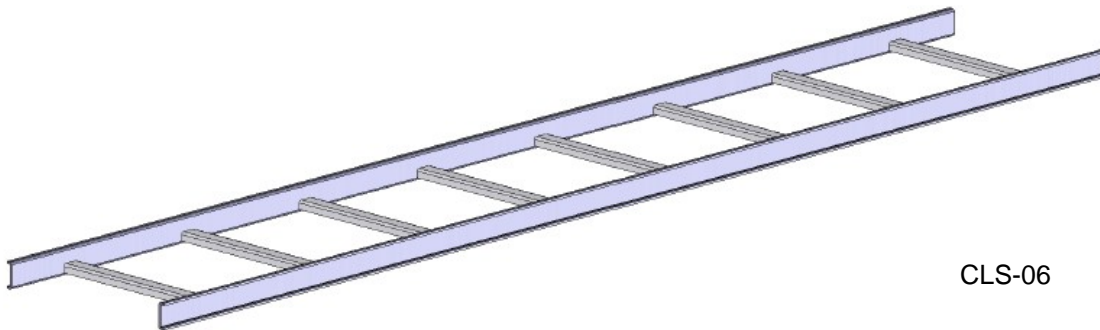


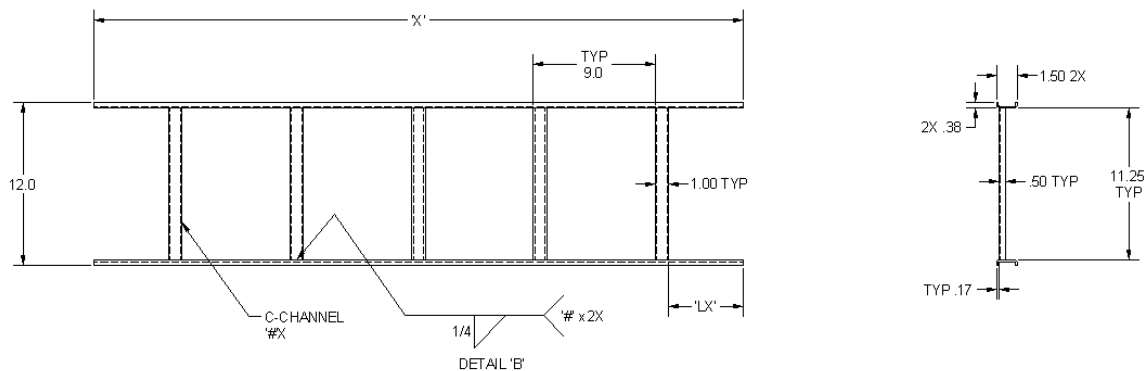
## Cable Ladders CLS-04/-10

Single piece welded construction, long straight cable ladder Part Number CLS-04 (4'), CLS-06 (6'), CLS-08 (8'), & CLS-10 (10'). Cable ladders are 12" wide x 1.5" thick, rungs shall be 1"W x 0.5"H x 11.25"L. Cable ladder sections shall have 5, 8, 10, & 13 (4', 6', 8', & 10' respectively) rungs on 9" centers. Ladders shall be constructed of 11GA ASTM 1025 structural steel finished in durable black powdercoat. Each cable ladder shall be individually boxed. CLS Series cable ladder shall have up to 187 lb. weight capacity per foot based on a 4ft support span. Cable ladders shall be classified by UL in the US and Canada (pending).



CLS-06

## CLS Series Basic Dimensions



VAR	'X'	'LX'	'#'	DESCRIPTION
-04	48"	5.5"	5	4' (48") LADDER RACK (RATED: 187Lbs/FT)
-06	72"	4.0"	8	6' (72") LADDER RACK (RATED: 83Lbs/FT)
-08	96"	7.0"	10	8' (96") LADDER RACK (RATED: 50Lbs/FT)
-10	120"	5.5"	13	10' (120") LADDER RACK (RATED: 50Lbs/FT)