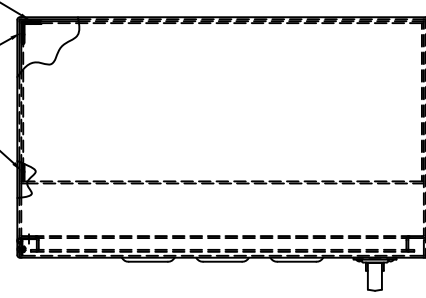
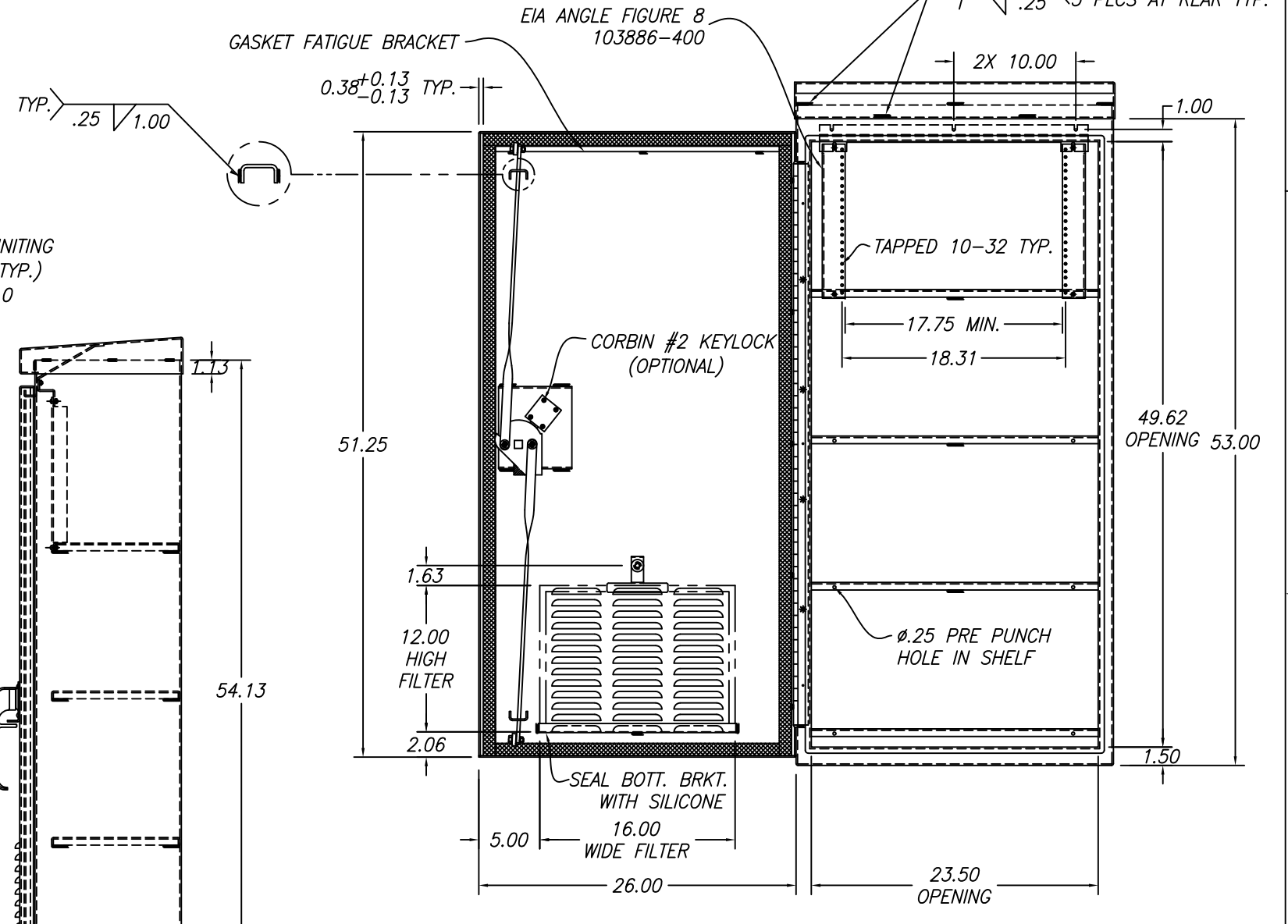


DWG. NO.	103886	SHEET	1	REV.	A	1
REVISIONS						
ZONE	REV.	DESCRIPTION	DATE	APPROVED		
		INITIAL RELEASE	02-28-02	<i>[Signature]</i>		
	A	CHGD. DESIGN	05-01-02	<i>[Signature]</i>		
	B	ADD MTG. BRKT. & EIA ANGLE RAIL	04-20-06	<i>[Signature]</i>		

ALL CORNER TYP.
(EQUIPMENT SHELF)
(BOTTOM SHELF SHIP LOOSE)

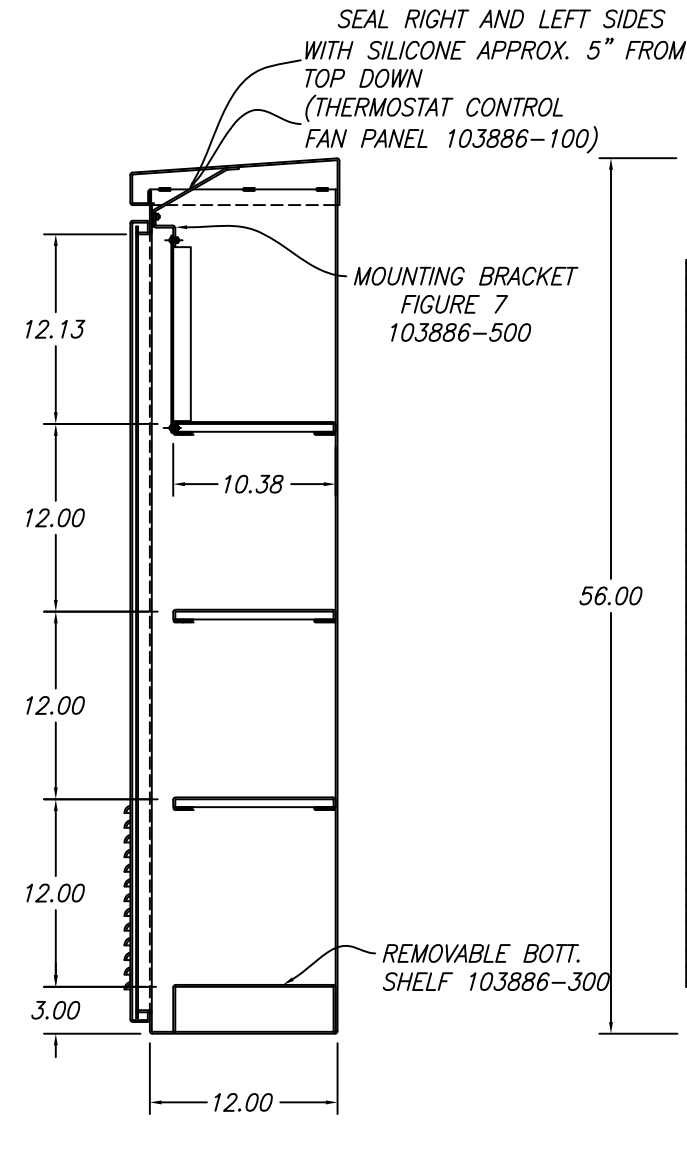


TOP VIEW

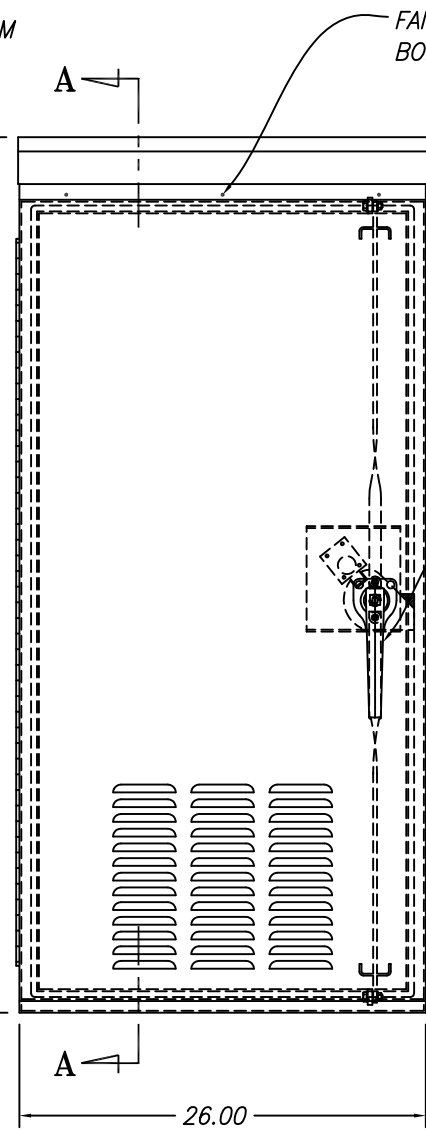


FRONT VIEW
OPEN DOOR

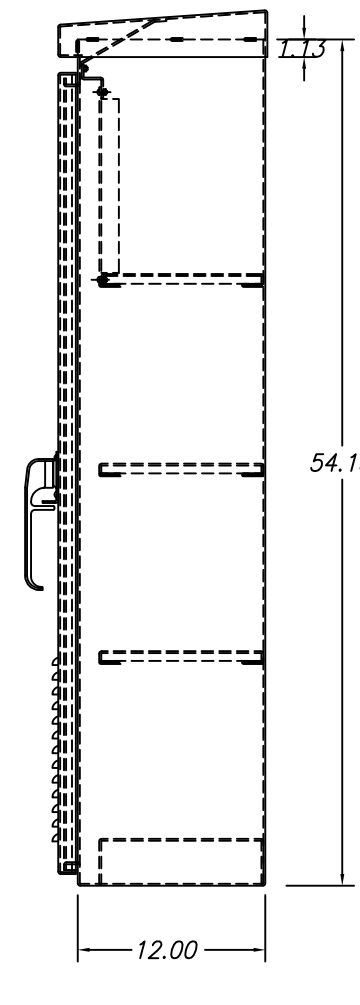
NOTE: REFER TO SHOP DOCUMENT FOR DETAIL BILL OF MATERIAL'S
NO MOUNTING HARDWARE REQUIRE FOR ECONOLITE ORDER



SECTION A-A



FRONT VIEW



RIGHT SIDE

QTY	PART OR IDENTIFYING NO.	NOMENCLATURE OR DESCRIPTION	MATERIAL SPECIFICATION	ITEM
		PARTS LIST		
		UNLESS OTHERWISE SPECIFIED DIMENSIONS ARE IN INCHES TOLERANCES ARE: FRACTIONS DECIMALS ANGLES ± 1/16" .XX ± .03 ± 1° .XXX ± .015	ACAD DWG NO. 103886	CALIFORNIA CHASSIS, INC. 3356 E. LA PALMA AVENUE ANAHEIM, CALIFORNIA 92806 (714) 666-8511 FAX (714) 666-8509
NEXT ASSY	USED ON	MATERIAL: .125 ALUM. 5052-H32	APPROVALS DRAWN <i>Loc Le</i> 02-28-02	NEMA 3R ENCLOSURE
APPLICATION	FINISH: CLEAR ANODIZE	CHECKED	ISSUED	
	DO NOT SCALE DRAWING			
		SIZE: FSCM NO. D 00675	DWG. NO. 103886	REV. B
		SCALE: NONE	SHEET: 1 OF 1	

