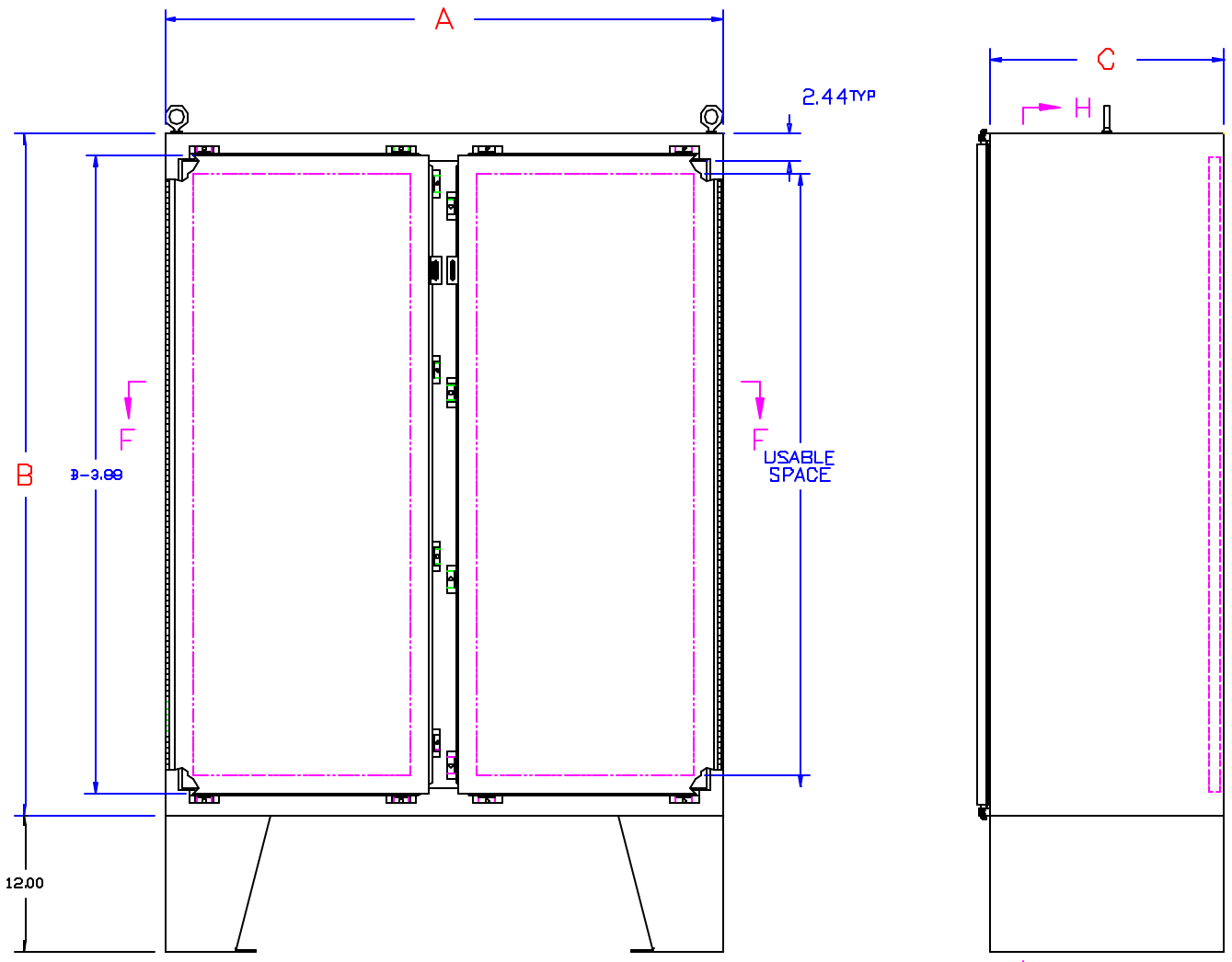
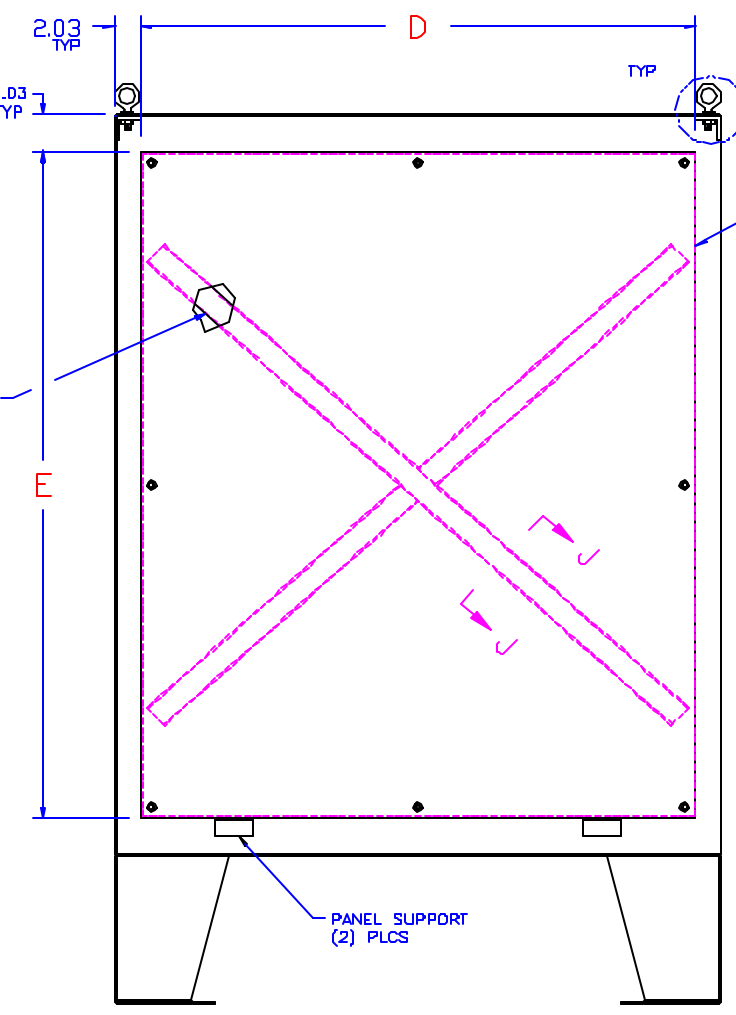


DWG NO	102214	SHEET	1	REV	A
REVISIONS					
ZONE	REV	DESCRIPTION	DATE	APPROVED	
A		INITIAL RELEASE	08/08/98		

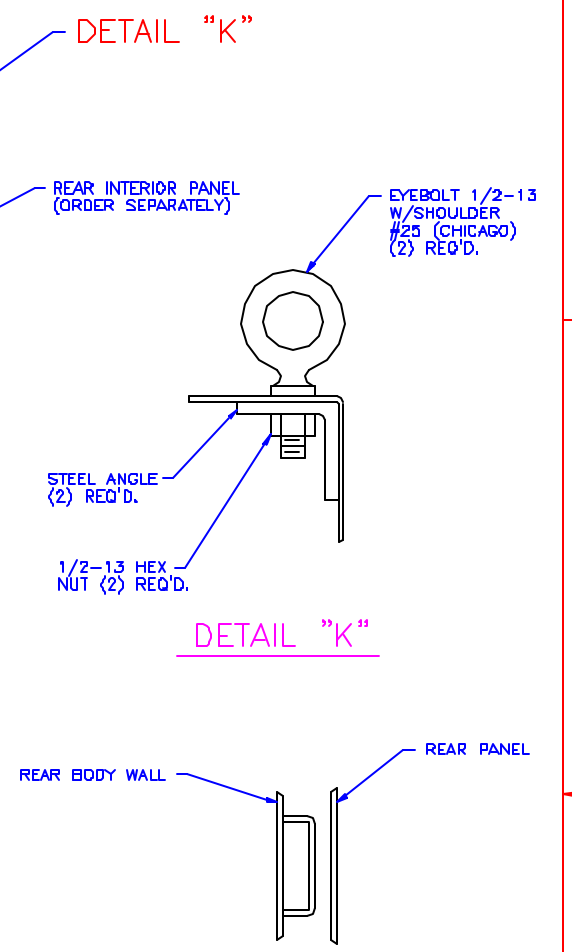


FRONT VIEW

SIDE VIEW

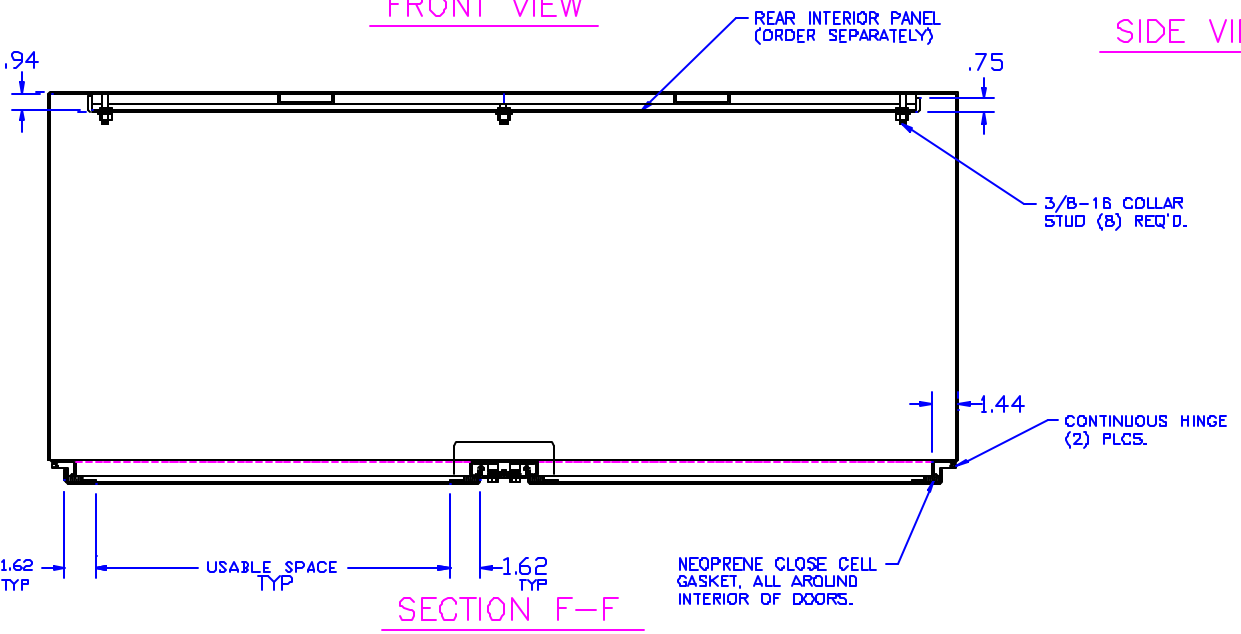


SECTION H-H



DETAIL "K"

SECTION J-J



SECTION F-F

NOTES: UNLESS OTHERWISE SPECIFIED

- MATERIAL
A. BODY, DOOR, & STIFFENERS: 12 GA CRS.
B. REAR INTERIOR PANEL: 10 GA CRS.
- BODY & DOORS ARE COMPLETELY SEAM WELDED

QTY REQ'D.	FRGM NO.	PART OR IDENTIFYING NO.	NON-CATALOG OR DESCRIPTION	MATERIAL SPECIFICATION	ITEM
UNLESS OTHERWISE SPECIFIED DIMENSIONS ARE IN INCHES TOLERANCES ARE					
FRACCTIONS	DECIMALS	ANGLES			
±.125"	±.005"	±.1°			
APPROVALS			DATE		
DRAWN H MEDINA			08/08/98		
CHECKED			ISSUED		
FINISH: SEE NOTES			SIZE PERSON NO. DWG NO. REV.		
CUSTOMER:			D 00675 102214 A		
SCALE: 1"=7"			SHEET 1 OF 1		

CALIFORNIA CHASSIS, INC. 3308 E. LA PALMA AVENUE ANAHEIM, CALIFORNIA 92805 (714) 888-8811 FAX (714) 888-8508

TWO DOOR NEMA 4

THIS INCLUDES AND WE GUARANTEE ALL MATERIALS AND THE WORKMANSHIP OF OUR SERVICE TECHNICIANS. WE DO NOT ACCEPT ANY LIABILITY FOR DAMAGE TO YOUR PROPERTY OR PERSONS. WE WILL NOT BE RESPONSIBLE FOR ANY DAMAGE TO YOUR PROPERTY OR PERSONS. WE WILL NOT BE RESPONSIBLE FOR ANY DAMAGE TO YOUR PROPERTY OR PERSONS.

Copyright © 1998 by Chassis, Inc.