

SPECIFICATIONS--PART #FCU102779-30 (M49)

MATERIAL- ALUMINUM, .125" THICKNESS, ALLOY 5052, SURFACE SHALL HAVE A SMOOTH, NATURAL ALUMINUM MILL FINISH.

DOOR & LOCKS- DOOR ARE NEMA TYPE 3R CONSTRUCTION WITH CELLULAR NEOPRENE GASKET, RAIN TIGHT. HINGE IS CONTINUOUS .075 THK. ALUMINUM AND STAINLESS STEEL PIN, SECURED WITH 1/4 -20 STAINLESS STEEL CARRAGE BOLTS. STANDARD EQUIPMENT INCLUDES A THREE-POINT LOCKING SYSTEM, WHICH SECURES THE DOOR AT THE TOP, BOTTOM AND CENTER A CORBIN LOCK WITH TWO KEYS IS ALSO FURNISHED. THE DOOR ARE ALSO EQUIPPED WITH A TWO POSITION DOOR STOP, ONE AT 90, 135 AND 170 DEGREES. DOOR LOCKING RODS ARE 1/4" X 3/4" ALUMINUM TURNED EDGWAYS WITH 1" NYLON ROLLERS. MAIN DOOR HANDLE IS CAST ALUMINUM.

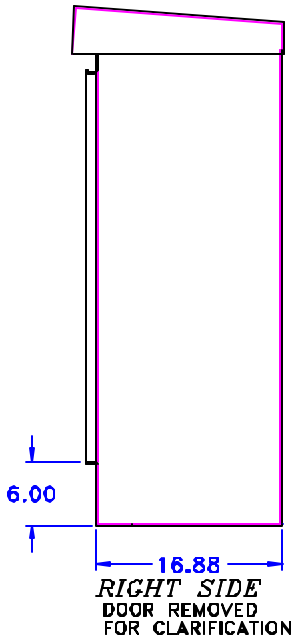
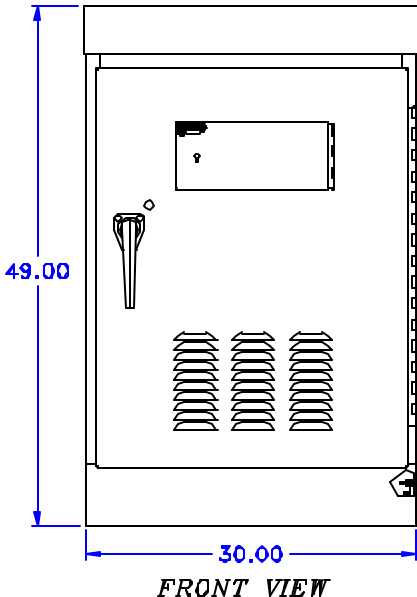
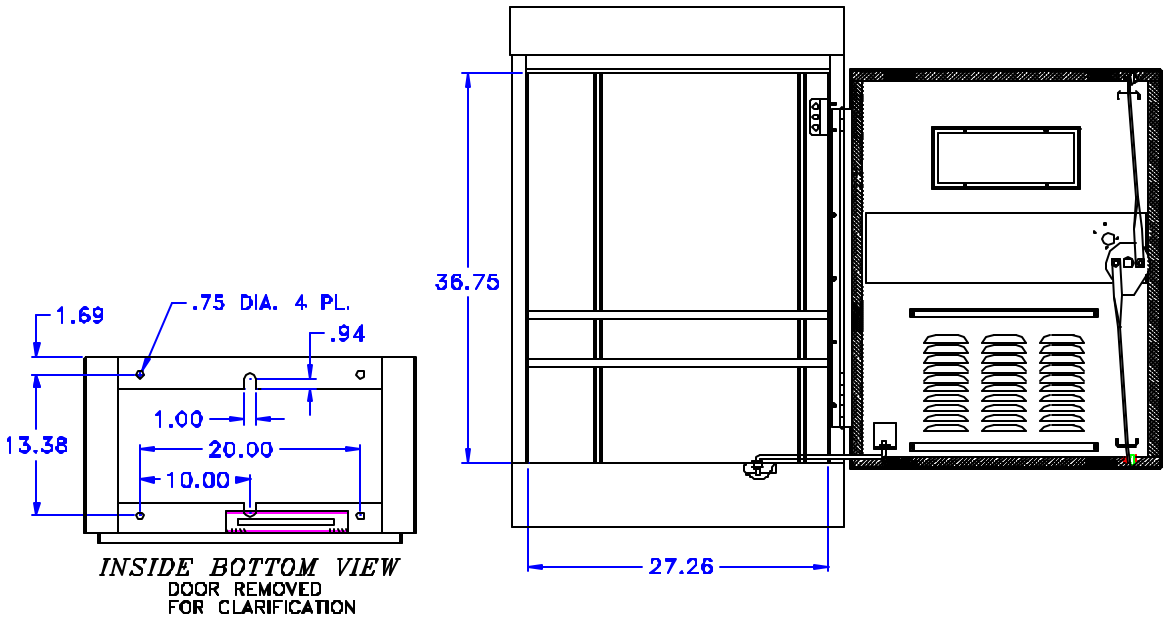
A POLICE DOOR IS PROVIDED IN THE UPPER HALF OF THE FRONT DOOR AND ENCOMPASSES THE FULL AREA OF THE POLICE PANEL. THE STANDARD DIMENSIONS OF THE PANEL ARE 7 1/2" HIGH, 12" WIDE AND 2-1/2" DEEP AND IS LOCATED DIRECTLY BEHIND THE POLICE DOOR. A SKELETON LOCK BY CORBIN IS FRNISHED FOR THE POLICE DOOR UNLESS OTHERWISE SPECIFIED.

SHELVES- TWO FULL WIDTH ADJUSTABLE SHELVES ARE FURNISHED WITH EACH CABINET. SHELVES ARE ADJUSTABLE THE FULL HEIGHT OF THE CABINETAND EACH STRUTS FOR MOUNTING SHELVES ARE WELDED IN PLACE. SHELF IS 11" DEEP

MOUNTING- CABINET IS BASE MOUNTED AND EQUIPPED WITH INSIDE FLANGES AT THE FRONT AND BACK, RIGHT AND LEFT FOR ANCHORING TO A BASE.

VENTILATION- A VENT PATTERN IS PROVIDED ON THE UNDERSIDE OF THE COVR OVERHANG AND LOUVER SLOTS ARE FORMED IN THE LOWER PORTION OF THE MAIN DOOR. THIS CREATES A NATURAL MOVEMENT OF AIR AND HAS A COOLING EFFECT ON THE ELECTRICAL EQUIPMENT. IF SPECIFACATIONS CALL FOR FAN-FORCED AIR, PROVISIONS ARE MADE TO ACCOMMODATE THE FANS, THE EXHUAUST AND THE INTAKE, WHICH IS RAIN TIGHT AND WILL NOT DRAIN WATER INTO THE CABINET.

FOR MORE DETIAL, REQUEST SPECIFICATION DRAWING(S) NOT TO SCALE



Part No.	Rev	Date
102779	NR	05-13-02
Description		
M 49" CABINET		
3356 E. La Plama Avenue, Anaheim, CA 92806 Phone: (714) 666-8511 Fax: (714) 666-8509 www.calchassis.com		
CutSheet Rev: - Date: 4-24-02 ©California Chassis, Inc.		