

Features:

Enclosure includes 19" E.I.A. rack frame assembly, with (4) adjustable shelves. Two aluminum side panels shall be provided and mounted on the E.I.A. rack parallel to the cabinet sides.

(1) Fan panel will be provided with provisions for (1) fan and thermostat control.

No police door or police panel.

Doors & Locks:

Nema3R, neoprene gasket, Corbin lock with (2) #2 keys, (2) door rods & a stainless steel handle for 3 point latching, door stop with 2 position at 90° & 160° +/- 10°, front door, rear door are solid, and all exterior hardwares to be stainless steel.

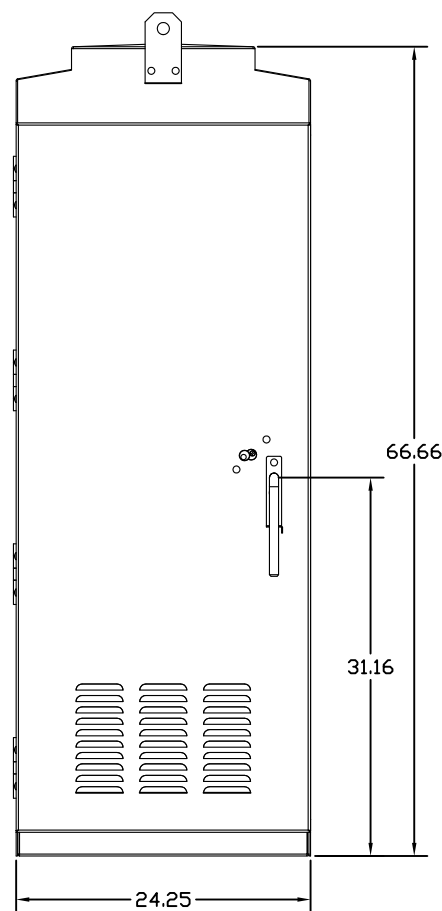
Material:

Cabinet and accessories- 0.125" thk. 5052-H32 aluminum, standard "mill finish".
Cage Rack - 10 ga. crs.

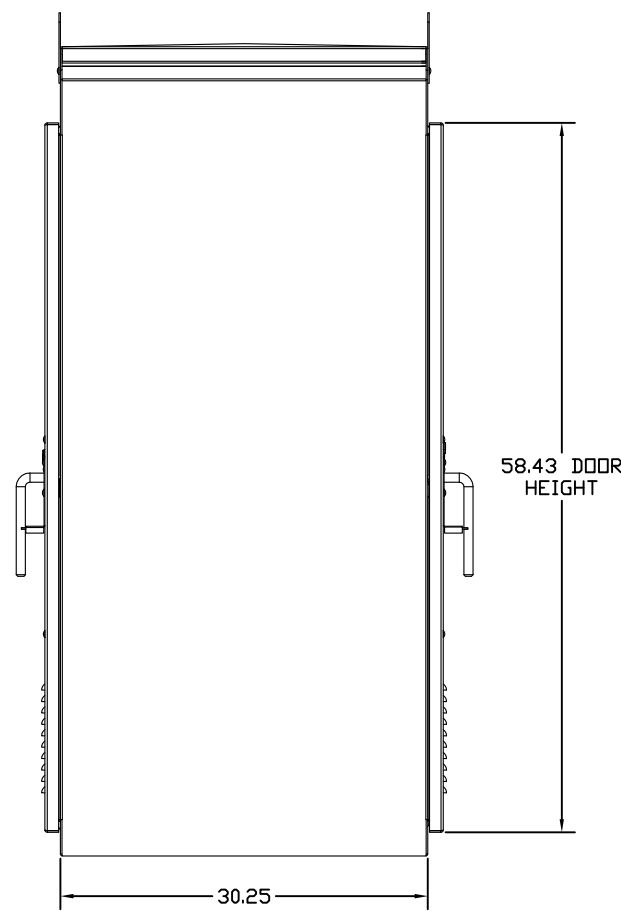
Finish:

Aluminum Mil finish

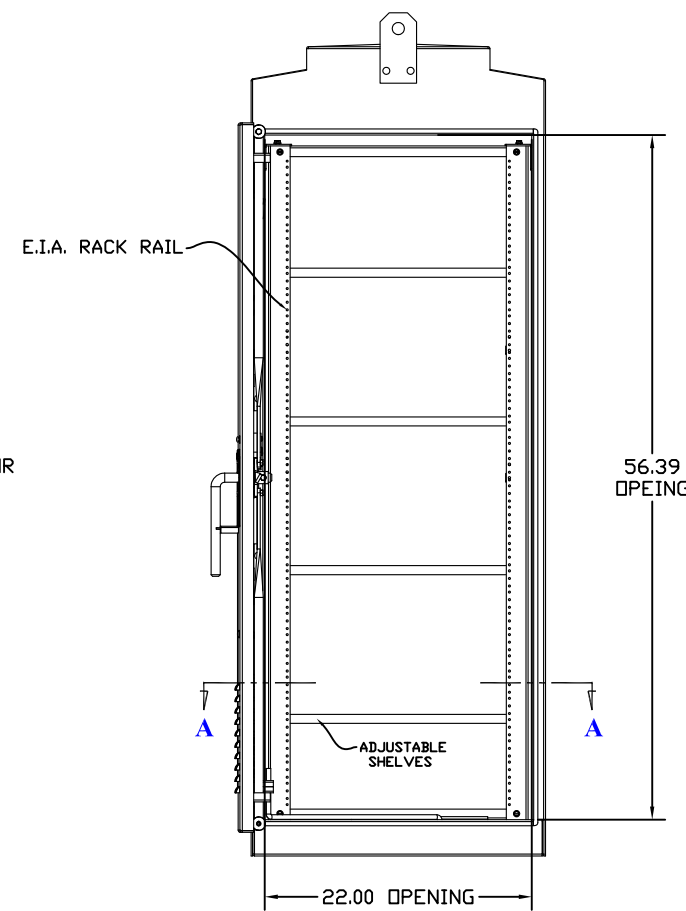
Steel-Clear zinc plate per ASTM-B633 Type III, Class 2.



FRONT VIEW



RIGHT SIDE VIEW



FRONT VIEW
with open door @ 90°

Part No. FCU106127	Rev
Date 03-10-08	Drawn: Loc Le

Description
ENCLOSURE TYPE 332
66 X 24 X 30



3356 E. La Palma Avenue, Anaheim, CA 92806
Phone: (714) 666-8511 Fax: (714) 666-8509
www.calchassis.com